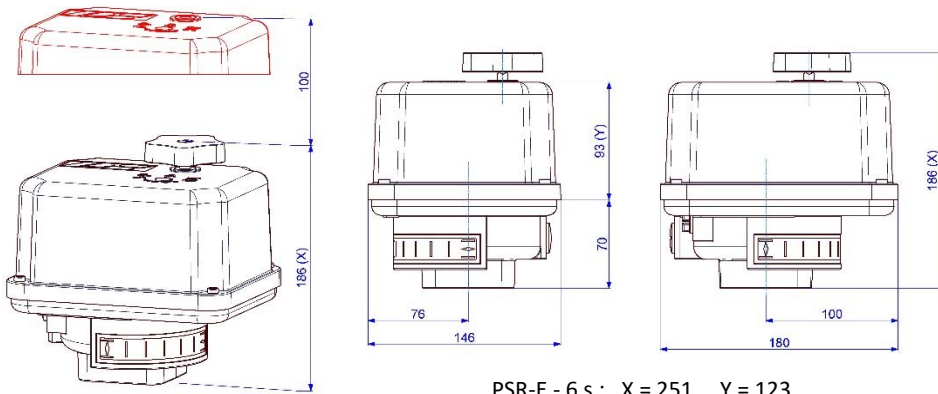


# Electric Quarter Turn Actuator

**PSR-E50**



PSR-E - 6 s.: X = 251 Y = 123

**Approx. weight: 2.5 kg without accessories**

**50 Nm**

max. Torque

**6 s / 12 s**

Operating time/90°

Flange F04/07 or F05/F07\*  
acc. to ISO 5211

Actuator

**Class C**

acc. to DIN EN ISO 22153

**Enclosure IP65**

acc. to EN 60529

Operating time/90°		6 s [50Hz] / 5 s [60 Hz]				
Power Supply [V]		230 VAC 1~	115 VAC 1~	24 VAC 1~	400 V 3~	24 VDC
Frequency [Hz]		50 / 60	50 / 60	50 / 60	50 / 60	
Nominal Current [A]		0.17	0.34	1.6	0.08	
Max. Current [A]		0.2	0.41	1.9	0.13	
Power Consumption [W]		39	39	39	55	
Operating time/90°		12 s [50Hz] / 10 s [60 Hz]				
Power Supply [V]		230 VAC 1~	115 VAC 1~	24 VAC 1~	400 V 3~	24 VDC
Frequency [Hz]		50 / 60				
Nominal Current [A]		0.1				
Max. Current [A]		0.12				
Power Consumption [W]		22				
Standard						
Duty Cycle IEC 60034-1,8		S2 - 20 min, S3/S4 1200 c/h - 25% ED at 25°C				
Ambient Temperature [°C]		-25°C to +70°C				
Motor Protection		Thermo switch				Multifuse
Add'l Position Switches: 2WE		2 additional position switches included (changeover contact) ampacity: 1 A inductive, 3 A ohmic; max. voltage: 250VAC				
Drive Bush		17 mm double square, drawing see back side				
Overvoltage Category		II				
Accessories/Options		230 VAC 1~	115 VAC 1~	24 VAC	400 V 3~	24 VDC
Heating HR		•	•	•		•
Potentiometer PD		•	•	•		•
Position Transmitter PSPT		•	•	•		•
Positioner PSAP		not retrofittable, please order a PSR-E-C instead				see left
Adapter for Valve Shaft		Options on request				see left
Increased Enclosure IP		Increase of enclosure to IP67				see left

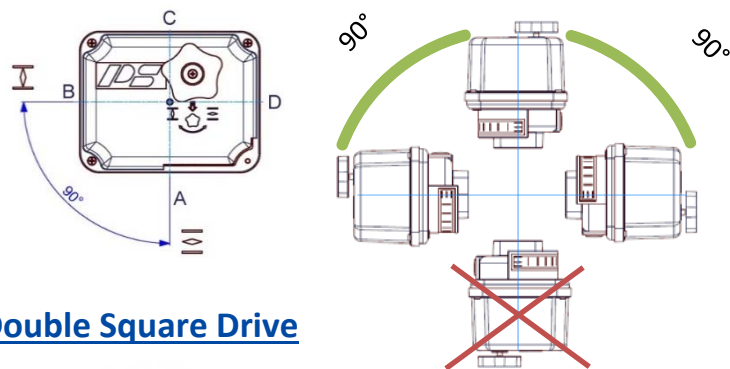
**PSR-E50**  
**50 Nm**

\*Flange details see back side

• = retrofittable, for further information please check the respective data sheet

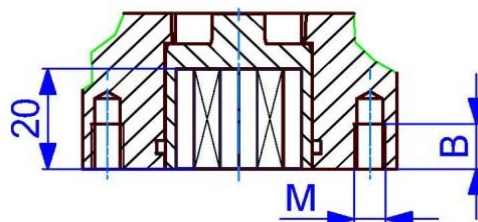
)<sup>1</sup> PSPT02: 2-wire technology; PSPT03: 3-wire technology

## Mounting Positions

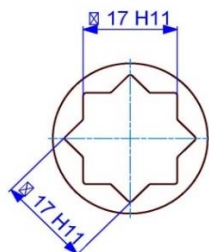


## ISO Flange Dimensions

ISO 5211	F04/07	F05/07
M	M5/M8	M6/M8
B	8/12 mm	9/12 mm



## Double Square Drive

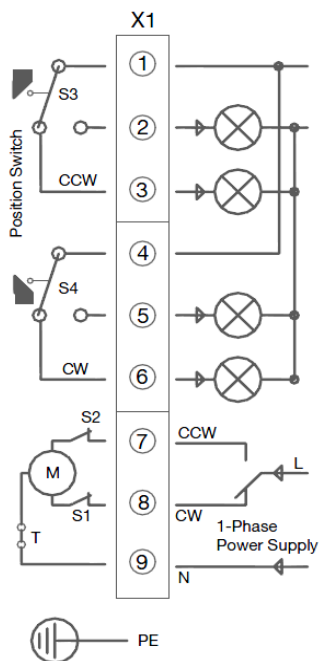


Please check drive bushes datasheet for available sizes!

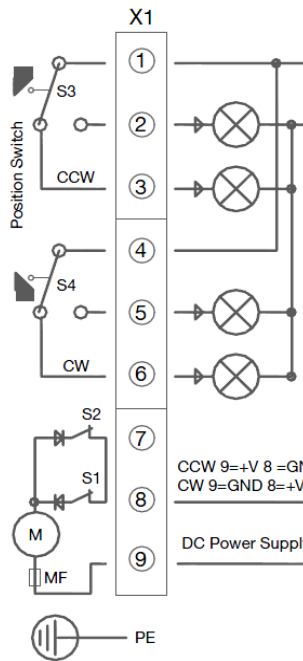
Other customized drive bushes on request!

## Electric Wiring Diagram

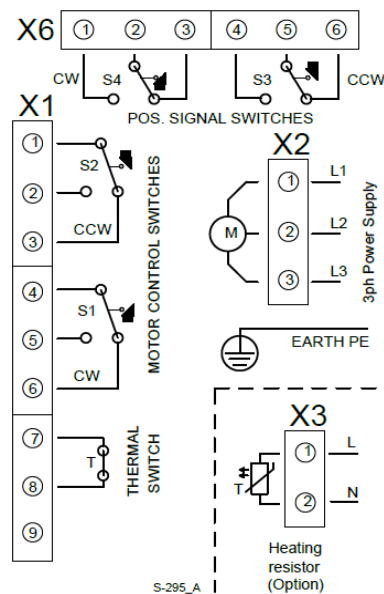
### 230, 115, 24 VAC 1~



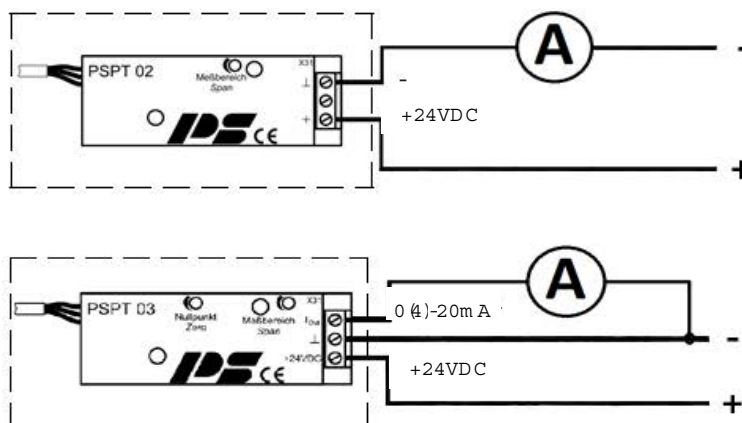
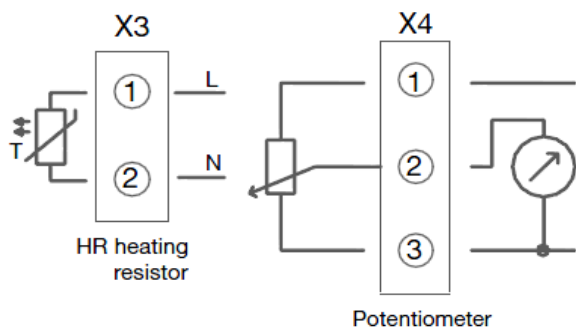
### 24 VDC



### 400 VAC



## Options



Subject to changes!