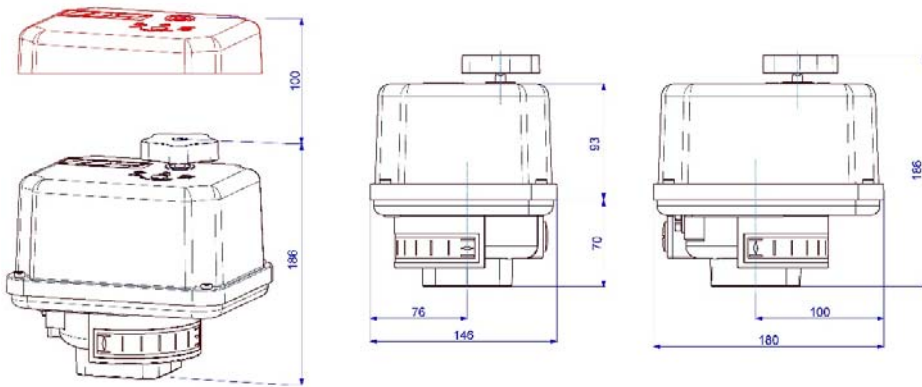


Electric Quarter Turn Actuator

PSR-E50



Approx. weight: 2.5 kg without accessories

50 Nm

max. Torque

16 / 33 / 80 s

Operating time/90°

Flange F04/07 or F05/F07*

acc. to ISO 5211

Actuator

Class C

acc. to DIN EN ISO 22153

Enclosure IP65

acc. to EN 60529

Operating time/90°	33 s [50Hz] / 28 s [60 Hz]				16 s
Power Supply [V]	230 VAC 1~	115 VAC 1~	24 VAC 1~	400 V 3~	24 VDC
Frequency [Hz]	50 / 60	50 / 60	50 / 60		-
Nominal Current [A]	0.05	0.13	0.6		0.6
Max. Current [A]	0.06	0.15	0.73		1.2
Power Consumption [W]	13	15	15		15
Operating time/90°	80 s [50Hz] / 67 s [60 Hz]				
Power Supply [V]	230 VAC 1~	115 VAC 1~	24 VAC 1~	400 V 3~	24 VDC
Frequency [Hz]	50 / 60	50 / 60	50 / 60		
Nominal Current [A]	0.03	0.07	0.33		
Max. Current [A]	0.04	0.08	0.4		
Power Consumption [W]	8	8	8		
Standard					
Duty Cycle IEC 60034-1,8	S2 - 20 min, S3/S4 1200 c/h - 25% ED at 25°C				
Ambient Temperature [°C]	-25°C to +70°C				
Motor Protection	Thermo switch				Multifuse
Add'l Position Switches: 2WE	2 additional position switches included (changeover contact) ampacity: 1 A inductive, 3 A ohmic; max. voltage: 250VAC				
Drive Bush	17 mm double square, drawing see back side				
Overvoltage Category	II				
Accessories/Options	230 VAC 1~	115 VAC 1~	24 VAC	400 V 3~	24 VDC
Heating HR	•	•	•		•
Potentiometer PD	•	•	•		•
Position Transmitter PSPT	•	•	•		•
Positioner PSAP	not retrofittable, please order a PSR-E-C instead				see left
Adapter for Valve Shaft	Options on request				see left
Increased Enclosure IP	Increase of enclosure to IP67				see left

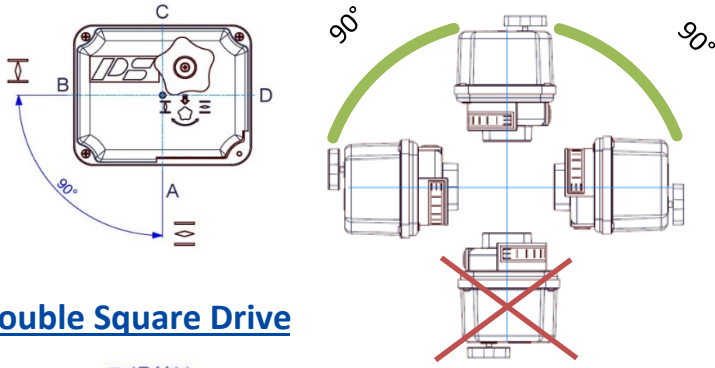
PSR-E50
50 Nm

*Flange details see back side

• = retrofittable, for further information please check the respective data sheet

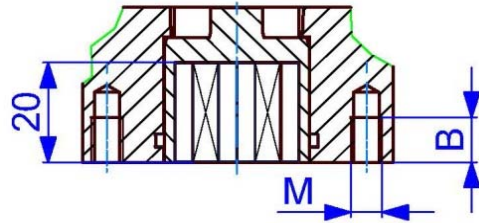
)¹ PSPT02: 2-wire technology; PSPT03: 3-wire technology

Mounting Positions

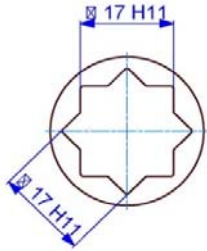


ISO Flange Dimensions

ISO 5211	F04/07	F05/07
M	M5/M8	M6/M8
B	8/12 mm	9/12 mm



Double Square Drive

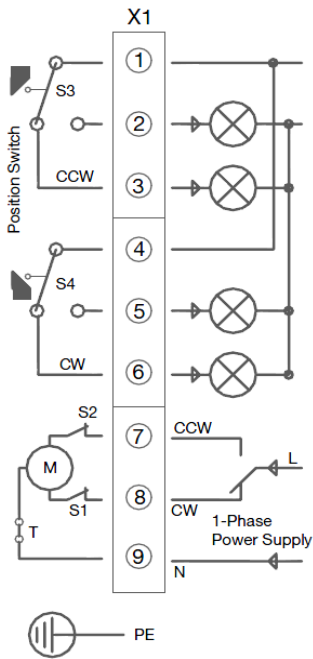


Please check drive bushes datasheet for available sizes!

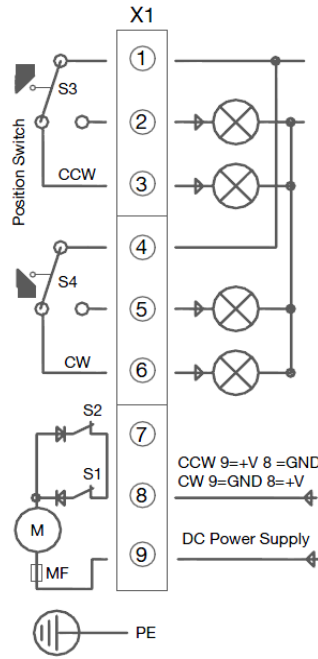
Other customized drive bushes on request!

Electric Wiring Diagram

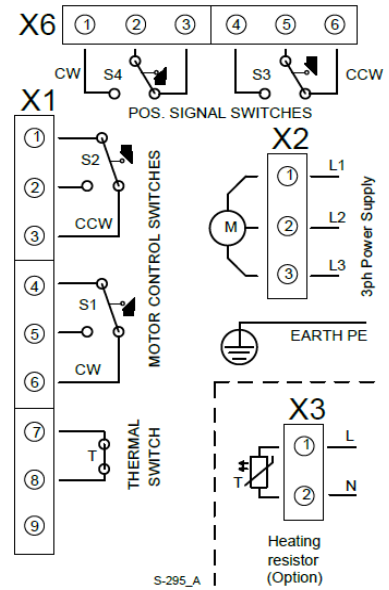
230. 115. 24 VAC 1~



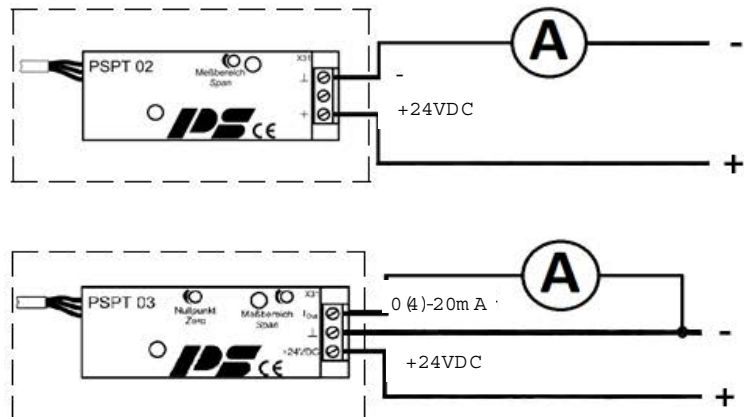
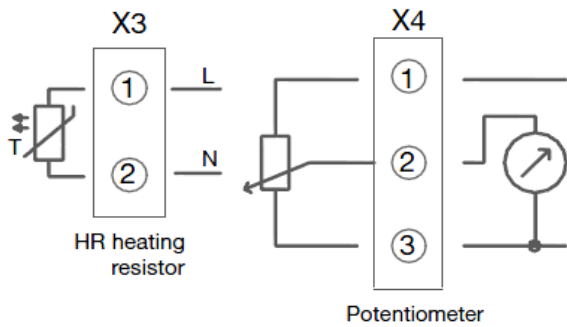
24 VDC



400 VAC



Options



Subject to changes!