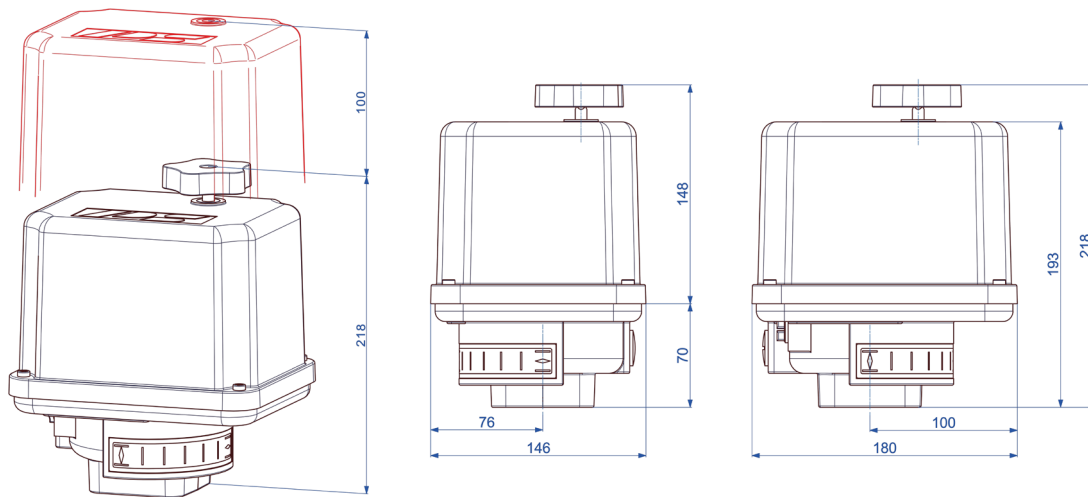


Electric Quarter Turn Actuator

PSR-E-C45



45 Nm
Switching torque
23 Nm running torque)¹

6 / 17 / 80 s
Operating Time/90°

Flange
F04/F05/F07*
acc. to DIN EN ISO 22153

Modulating Actuator

Class C
acc. DIN EN ISO 22153

Enclosure IP65
acc. EN 60529

Approx. weight: 3 kg without accessories

Operating Time/90°	6 s [50 Hz] / 5 s [60 Hz]				
Power Supply [V]	230 VAC 1~	115 VAC 1~	24 VAC 1~	400 V 3~	24 VDC
Frequency [Hz]	50 / 60	50 / 60	50 / 60		
Normal Current [A]	0.17	0.3	1.5		
Maximum Current [A]	0,20	0,36	1,8		
Power Consumption) ² [W]	39	34	34		
Operating Time/90°	17 s [50 Hz] / 14 s [60 Hz]				
Power Supply [V]	230 VAC 1~	115 VAC 1~	24 VAC 1~	400 V 3~	24 VDC
Frequency [Hz]	50 / 60	50 / 60	50 / 60		
Normal Current [A]	0,1	0.2	1		
Maximum Current [A]	0,12	0.24	1.2		
Power consumption) ² [W]	22	22	22		
Operating Time/90°	80 s [50 Hz] / 66 s [60 Hz]				
Power Supply [V]	230 VAC 1~	115 VAC 1~	24 VAC 1~	400 V 3~	24 VDC
Frequency [Hz]	50 / 60	50 / 60	50 / 60		
Normal Current [A]	0.03	0.07	0.33		
Maximum Current [A]	0.04	0.08	0.4		
Power consumption) ² [W]	8	8	8		
Standard Equipment					
Duty Cycle IEC 60034-1,8	S2 - 20 min, S3/S4 25% dc @ 25°C - 1200 c/h				
Ambient Temperature [°C]	-25 at +70 (S2) / -20 at +60 (S4)				
Motor Protection	Terminal switch				
Drive	17 mm double square, drawing see back side				
Overvoltage Category	II				

PSR-E-C
45 Nm

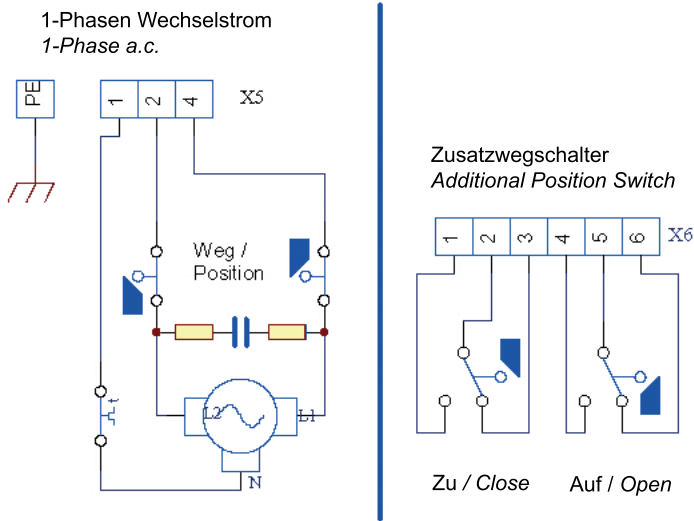
* Flange details see back side

)¹ = Permissible average thrust over the entire travel is 90°

)² = at switching torque and 50 Hz

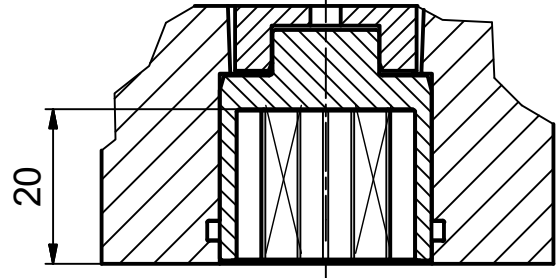
For more information and accessories, please visit our website www.ps-automation.com!

Electrical Connection Plan

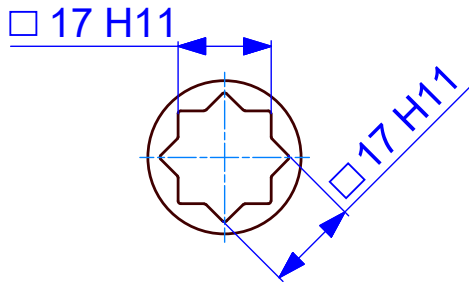


ISO Flange Dimensions

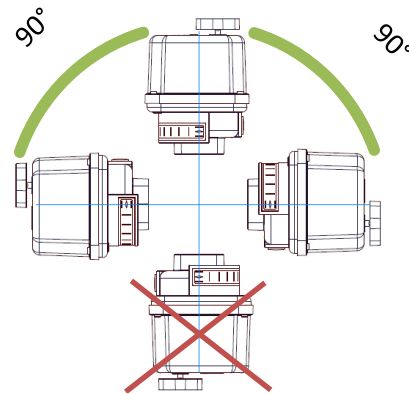
ISO 5211	F04/07	F05/07
M	M5/M8	M6/M8
B	8/12 mm	9/12 mm



Dimensions of the PS-Standard-Adaptation



Mounting Position



Please check the drive bushes datasheet for the available sizes!
Other customized drive bushes on request!

Accessories/Options		230 VAC 1~	115 VAC 1~	24 VAC 1~	400 V 3~	24 VDC
Position Signal Switches	2WE	•	•	•		
Position Signal Switches Gold	2WE Gold	•	•	•		
Position Transmitter	PSPT	•) ³	•) ³	•) ³		
Positioner	PSAP	•	•	•) ⁴		
Heating Resistor) ⁵	HR	•	•	•		
Potentiometer	PD	•	•	•		
Drive bush		Options on request				
Increased IP enclosure	IP	Increase of enclosure to IP67				

• = available, for further information please check the data sheet
)³ = PSPT02: 2-wire technology; PSPT03: 3-wire technology
)⁴ = PSAP with external relay required (Version .../R)
)⁵ = supply voltage 24 V or 115-230 V possible

For more information and accessories, please visit our website www.ps-automation.com!

Subject to changes!