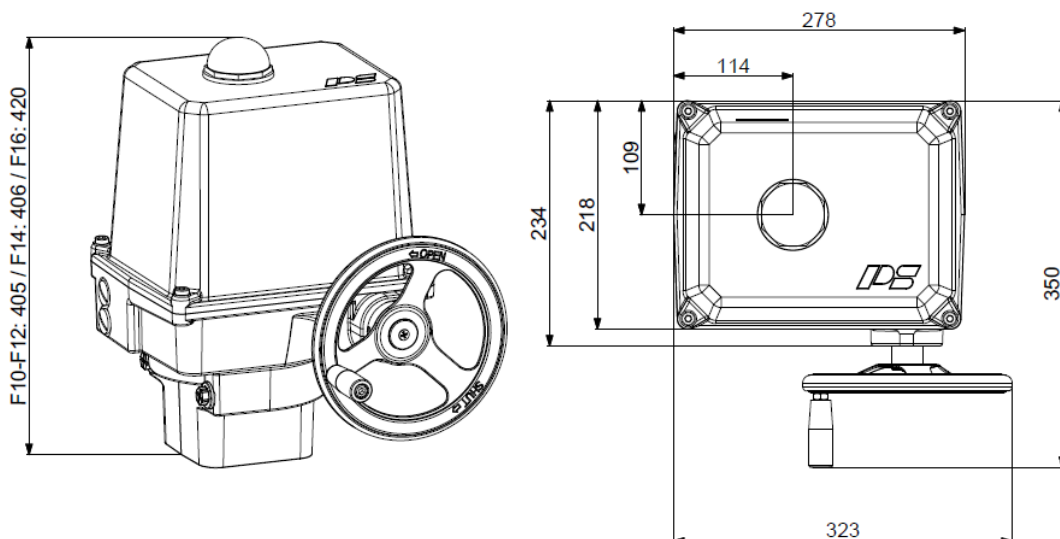


Electric Quarter-Turn Actuator

PSQ503 -40°C
Low Temperature Version



Approx. weight: 27 kg without accessories

500 Nm
Switching torque)¹

43 s
Operating Time/90°

Flange
F10/F12/F14/F16

Modulating Actuator

Class C
acc. EN ISO 22153

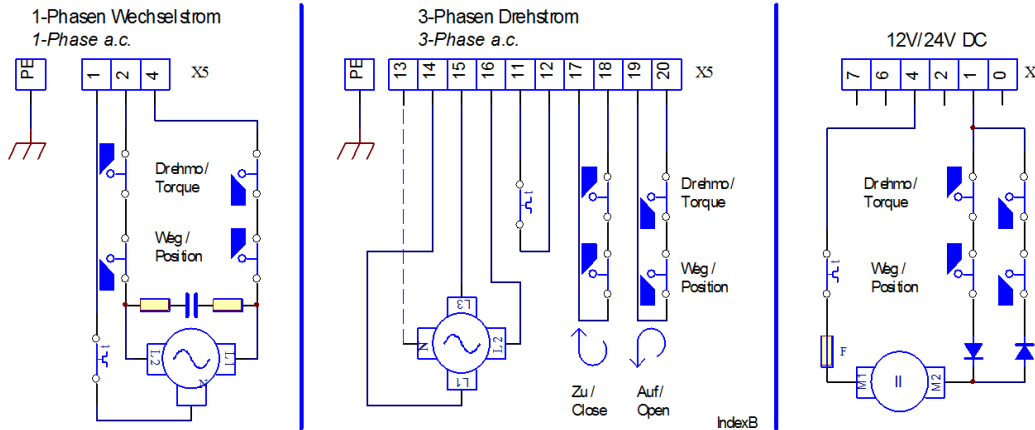
Enclosure IP67
EN 60529

Operating Time/90°		43 s [50 Hz] / 36 s [60 Hz]	PSQ503 500 Nm
Power Supply	[V]	230 VAC 1~	
Frequency	[Hz]	50 / 60	
Normal Current	[A]	0,75	
Maximum Current	[A]	0,98	
Power Consumption) ²	[W]	175	
Duty Cycle	IEC 60034-1,8	S2 30 min / S4 50% ED - 1200 c/h	
Ambient Temperature	[°C]	-40°C to +60°C (S2) / -40°C to +60°C (S4)	
Overvoltage Category		II	
Motor Protection		Thermo Switch) ³	

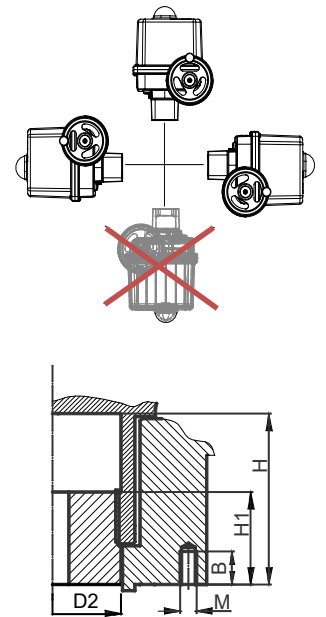
)¹ = Permissible average thrust over the entire travel is 50% of the max. thrust
)³ = Thermo switch must be wired externally at 400 VAC 3~

)² = at switching torque and 50 Hz

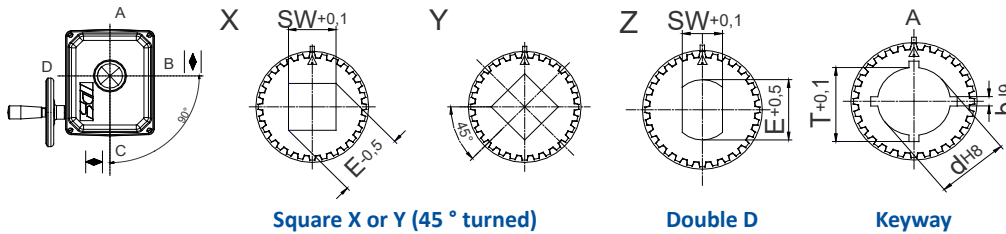
Electrical Connection Plan



Mounting Position



Available Drive Bushes



	F10	F12
D2	66	66
H	80	80
H1	48	48
M	M10	M12
B	18	18

F10 without centring!

Please check the drive bushes datasheet for the available sizes!
Other customized drive bushes on request!

Accessories/ Options	Power Supply	230 VAC 1~	
	Add'l Position Switches	2WE	•
	Add'l Position Switches Gold	2WE Gold	•
	Add'l Torque Switches	2DE	•
	Add'l Torque Switches Gold	Gold	•
	Positioner	PSAP	•
	Position Transmitter	PSPT	•
	Heating Resistor	HR	•
	Potentiometer	PD	•
	Corrosion Protection	K2	Increased corrosion protection incl. heating resistor
Increased enclosure	IP	IP68 ⁴ incl. heating resistor and corrosion protection K2	

• available, for further information see respective datasheet
⁴ = IP68, no ingress of dust and suitable for continuous immersion in water up to 6 m and 96 h

For more information and accessories, please visit our website www.ps-automation.com!

Subject to changes!