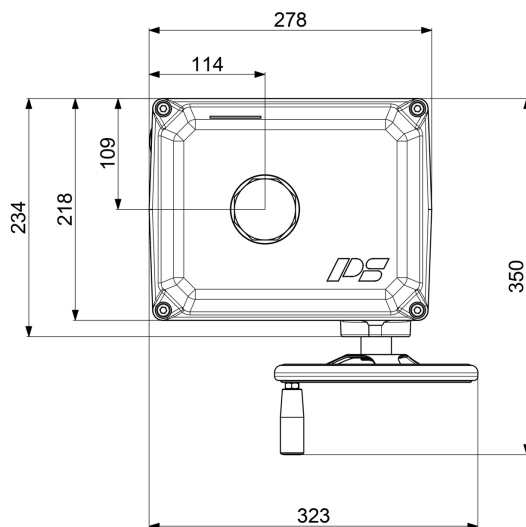
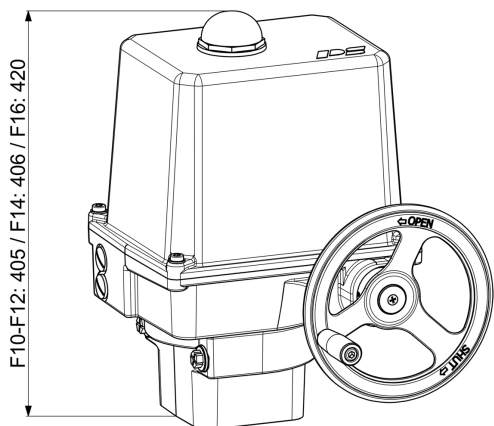


# Electric Quarter Turn Actuator

**PSQ503 -40°C**  
Low Temperature Version



Approx. weight: 27 kg without accessories

500 Nm  
**Switching torque)<sup>1</sup>**

**43 s**  
Operating Time/90°

**Flange**  
**F10/F12/F14/F16**

Modulating Actuator

**Class C**  
acc. DIN EN ISO 22153

**Enclosure IP67**  
acc. EN 60529

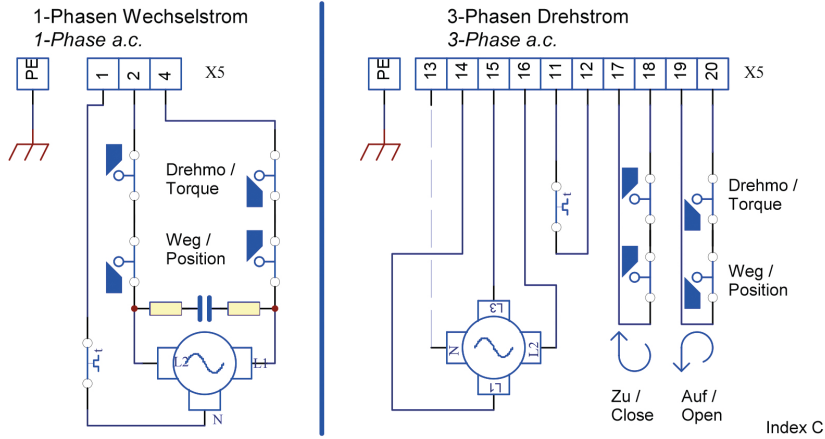
Operating Time/90°		43 s [50 Hz] / 36 s [60 Hz]	<b>PSQ503</b> <b>500 Nm</b>
Power Supply	[V]	230 VAC 1~	
Frequency	[Hz]	50 / 60	
Normal Current	[A]	0.52	
Maximum Current	[A]	0.95	
Power Consumption ) <sup>2</sup>	[W]	120	
Duty Cycle	IEC 60034-1,8	S2 30 min / S4 50% dc @ 25°C - 1200 c/h	
Ambient Temperature	[°C]	-40°C to +60°C (S2) / -40°C to +60°C (S4)	
Overvoltage Category		II	
Motor Protection		Thermo Switch ) <sup>3</sup>	

)<sup>1</sup> = Permissible average thrust over the entire travel is 90° is 50% of the max. thrust

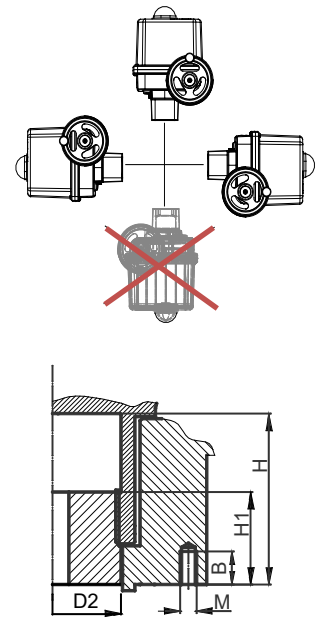
)<sup>2</sup> = at switching torque and 50 Hz

)<sup>3</sup> = Thermo switch must be wired externally at 400 VAC 3~

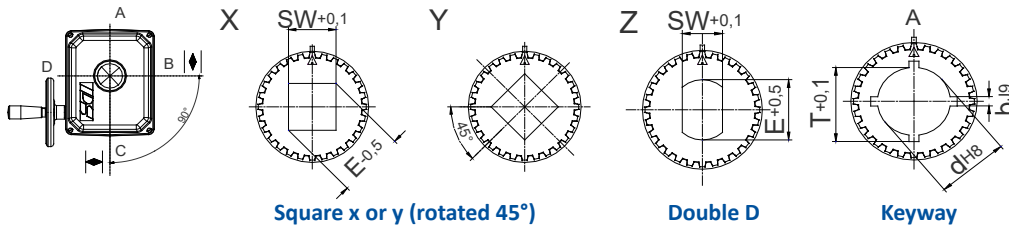
Electrical Connection Plan



Mounting Position



Available Drive Bushes



	F10	F12
D2	66	66
H	80	80
H1	48	48
M	M10	M12
B	18	18

Please check the drive bushes datasheet for the available sizes!  
Other customized drive bushes on request!

Accessories / Options	Power Supply		230 VAC 1~	
	Add'l Position Switches	2WE		•
	Add'l Position Switches Gold	2WE Gold		•
	Additional torque switch	2DE		•
	Add'l Torque Switches Gold	2DE Gold		•
	Positioner	PSAP		•
	Position Transmitter	PSPT		•
	Heating Resistor	HR		•
	Potentiometer	PD		•
	Reversing Starter Contactor	WSM01		
Increased Enclosure	IP		IP68 ) <sup>4</sup> incl. heating and corrosion protection K2	

•• available, for further information see respective datasheet  
)<sup>4</sup> = IP68, no ingress of dust and suitable for continuous immersion in water up to 6 m and 96 h

For more information and accessories, please visit our website [www.ps-automation.com](http://www.ps-automation.com)!

Subject to changes!