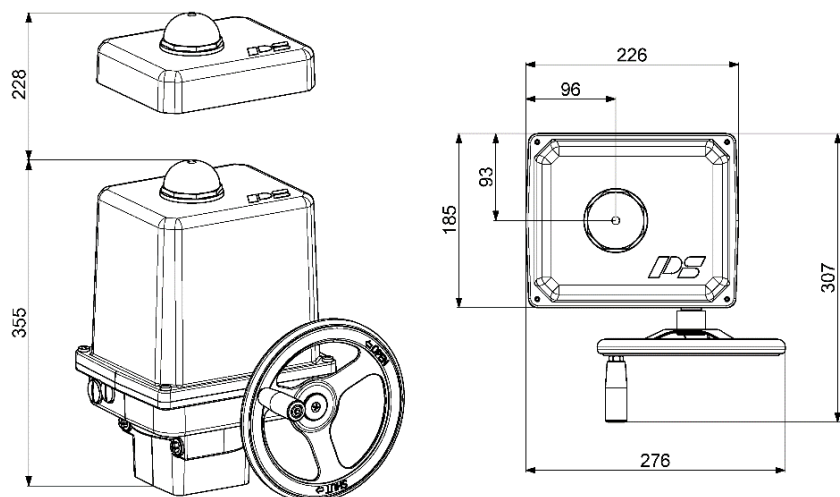


Electric Quarter-Turn Actuator

PSQ203



Approx. weight: 11.1 kg without accessories

250 Nm
Switching torque)¹

20 s - 69 s

Op. Time/90°

**Flange
F07 + F10**

Modulating Actuator

Class C

acc. EN ISO 22153

Enclosure IP67

EN 60529

Operating Time/90°	20 s [50 Hz] / 17 s [60 Hz]				16 s	PSQ203 250 Nm
Power Supply [V]	230 VAC 1~	115 VAC 1~	24 VAC 1~	400 V 3~	24 VDC	
Frequency [Hz]	50 / 60	50 / 60	50 / 60		-	
Normal Current [A]	0.45	1.2	5.5		3.2	
Maximum Current [A]	0.95	1.8	9		3.8	
Power Consumption) ² [W]	100	130	130		77	
Duty Cycle IEC 60034-1,8	S2 30 min / S4 50% ED - 1200c/h				see left	
Ambient Temperature [°C]	-20°C to +80°C (S2) / -20°C to +60°C (S4)				see left	
Overvoltage Category	II				see left	
Motor Protection	Thermo Switch) ³				see left	
Operating Time/90°	28 s [50 Hz] / 23 s [60 Hz]					PSQ203 250 Nm
Power Supply [V]	230 VAC 1~	115 VAC 1~	24 VAC 1~	400 V 3~	24 VDC	
Frequency [Hz]	50 / 60	50 / 60	50 / 60	50 / 60		
Normal Current [A]	0.32	0.61	2.9	0.15		
Maximum Current [A]	0.39	0.73	3.5	0.19		
Power Consumption) ² [W]	73	69	69	64		
Duty Cycle IEC 60034-1,8	S2 30 min / S4 50% ED - 1200c/h					
Ambient Temperature [°C]	-20°C to +80°C (S2) / -20°C to +60°C (S4)					
Overvoltage Category	II					
Motor Protection	Thermo Switch) ³					
Operating Time/90°	69 s [50 Hz] / 57 s [60Hz]				60 s	PSQ203 250 Nm
Power Supply [V]	230 VAC 1~	115 VAC 1~	24 VAC 1~	400 V 3~	24 VDC	
Frequency [Hz]	50 / 60	50 / 60	50 / 60	50 / 60	-	
Maximum Current [A]	0.27	0.57	2.7	0.12	1.3	
Maximum Current [A]	0.33	0.68	3.3	0.15	2.5	
Power Consumption) ² [W]	62	64	64	51	30	
Duty Cycle IEC 60034-1,8	S2 30 min / S4 50% ED - 1200c/h					
Ambient Temperature [°C]	-20°C to +80°C (S2) / -20°C to +60°C (S4)					
Low Temperature Version	-40°C to +60°C optional					
Overvoltage Category	II					
Motor Protection	Thermo Switch) ³				Multifuse	

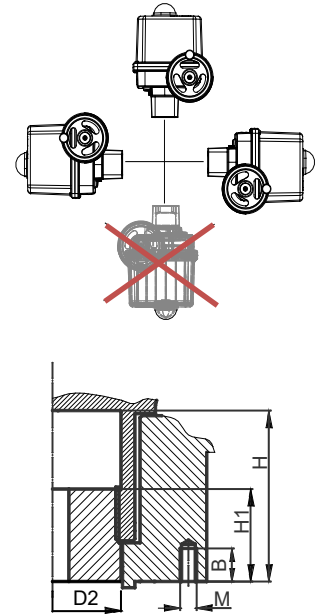
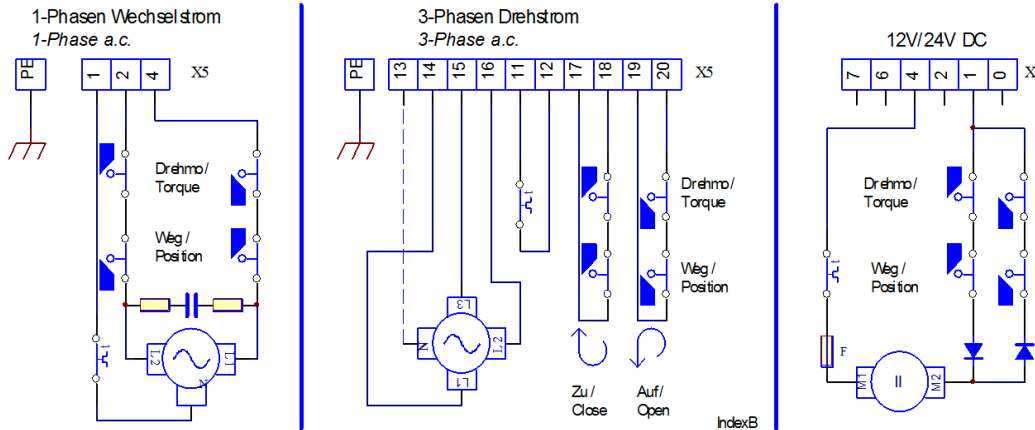
)¹ = Permissible average thrust over the entire travel is 50% of the max. thrust

)² = at switching torque and 50 Hz

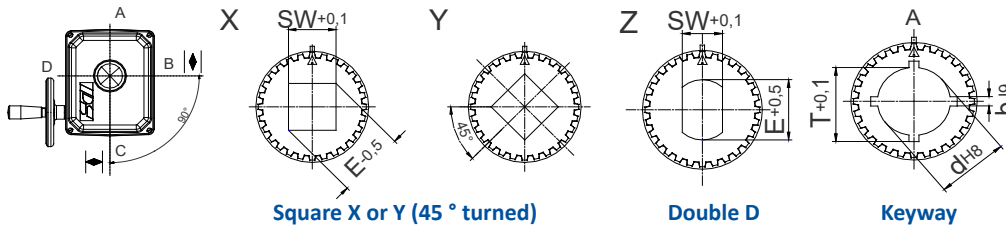
)³ = Thermo switch must be wired externally at 400 VAC 3~

Electrical Connection Plan

Mounting Position



Available Drive Bushes



	F07	F10
D2	47	47
H	60	60
H1	35	35
M	M8	M10
B	16	20

Please check the drive bushes datasheet for the available sizes!
Other customized drive bushes on request!

Accessories/Options	Power Supply	230 VAC 1~	115 VAC 1~	24 VAC 1 ~	400 V 3~	24 VDC	
	Add'l Position Switches	2WE	•	•	•	•	
	Add'l Position Switches	2WE	•	•	•	•	
	Gold	Gold					
	Add'l Torque Switches	2DE	•	•	•	•	
	Add'l Torque Switches	2DE	•	•	•	•	
	Gold	Gold					
	Positioner	PSAP	•	•	•) ⁴	•) ⁵	
	Position Transmitter	PSPT	•	•		•	•
	Heating Resistor	HR	•	•	•	•) ⁶	•
	Potentiometer	PD	•	•	•	•	•
	Reversing Starter Contactor	WSM01				•	
Corrosion Protection	K2	Increased corrosion protection incl. heating resistor					
Increased enclosure	IP	IP68) ⁷ incl. heating resistor and corrosion protection K2					

• available, for further information see respective datasheet
⁴ = PSAP with external relay required (Version .../R)
⁵ = only to be used with reversing starter contactor
⁶ = supply voltage 24 V or 115-230 V possible
⁷ = IP68, no ingress of dust and suitable for continuous immersion in water up to 6 m and 96 h

For more information and accessories, please visit our website www.ps-automation.com!

Subject to changes!