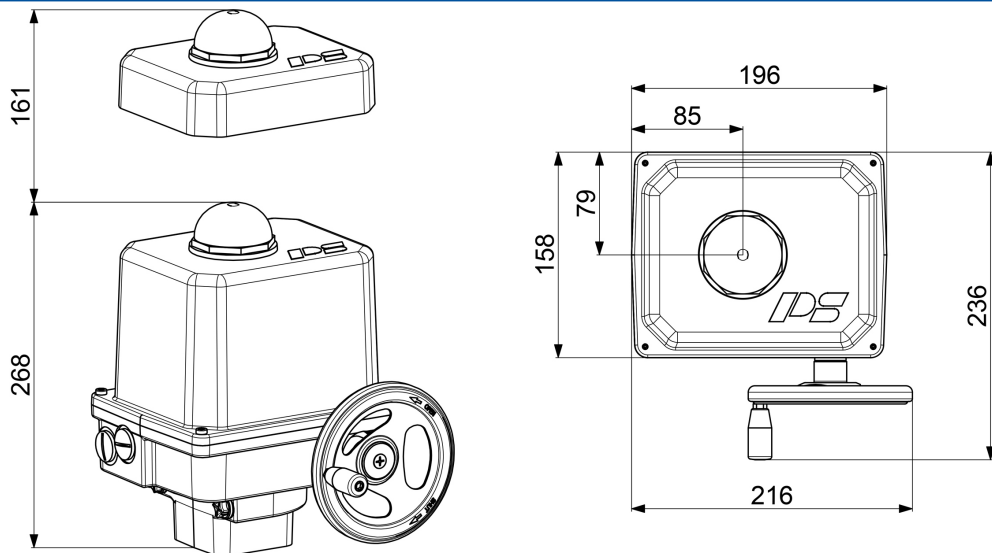


# Electric Quarter Turn Actuator

**PSQ103 -40°C**  
Low Temperature Version



Approx. weight: 7.6 kg without accessories

130 Nm  
**Switching torque)<sup>1</sup>**

**32 s**  
Operating Time/90°

**Flange**  
**F05 + F07**  
Modulating Actuator

**Class C**  
acc. DIN EN ISO 22153

**Enclosure IP67**  
acc. EN 60529

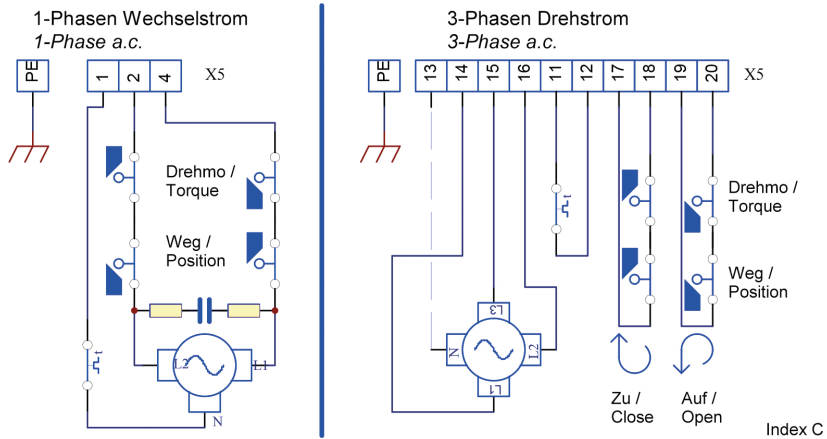
Operating Time/90°		32 s [50 Hz] / 27 s [60 Hz]
Power Supply	[V]	230 VAC 1~
Frequency	[Hz]	50 / 60
Normal Current	[A]	0.27 / 0.23
Maximum Current	[A]	0.33 / 0.28
Power Consumption ) <sup>2</sup>	[W]	62 / 53
Duty Cycle	IEC 60034-1,8	S2 30 min / S4 50% dc @ 25°C - 1200 c/h
Ambient Temperature	[°C]	<b>-40°C to +60°C (S2) / -40°C to +60°C (S4)</b>
Overvoltage Category		II
Motor Protection		Thermo Switch ) <sup>3</sup>

**PSQ103**  
**130 Nm**

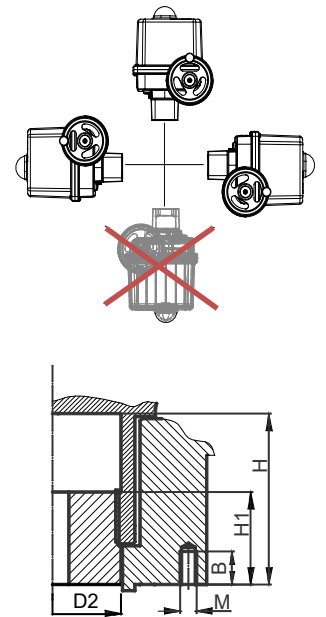
)<sup>1</sup> = Permissible average thrust over the entire travel is 90° is 50% of the max. thrust  
)<sup>3</sup> = Thermo switch must be wired externally at 400 VAC 3~

)<sup>2</sup> = at switching torque and 50 Hz

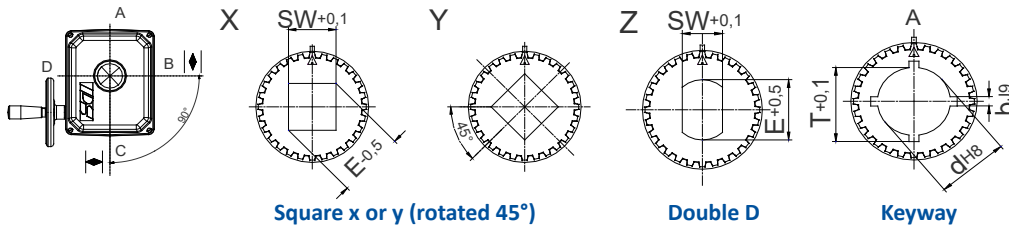
Electrical Connection Plan



Mounting Position



Available Drive Bushes



	F05	F07
D2	38	38
H	44	44
H1	35	35
M	M6	M8
B	12	16

Please check the drive bushes datasheet for the available sizes!  
Other customized drive bushes on request!

Accessories / Options	Power Supply	230 VAC 1~		
	Add'l Position Switches	2WE		•
	Add'l Position Switches Gold	2WE Gold		•
	Additional torque switch	2DE		•
	Add'l Torque Switches Gold	2DE Gold		•
	Positioner	PSAP		•
	Position Transmitter	PSPT		•
	Heating Resistor	HR		•
	Potentiometer	PD		•
	Reversing Starter Contactor	WSM01		
	Corrosion Protection	K2	Corrosion Protection K2 incl. Heating Resistor	
	Increased Enclosure	IP	IP68 ) <sup>4</sup> incl. heating and corrosion protection K2	

• • available, for further information see respective datasheet  
)<sup>4</sup> = IP68, no ingress of dust and suitable for continuous immersion in water up to 6 m and 96 h

For more information and accessories, please visit our website [www.ps-automation.com](http://www.ps-automation.com)!

Subject to changes!