

Electric Quarter Turn Actuator

PSQ-E130

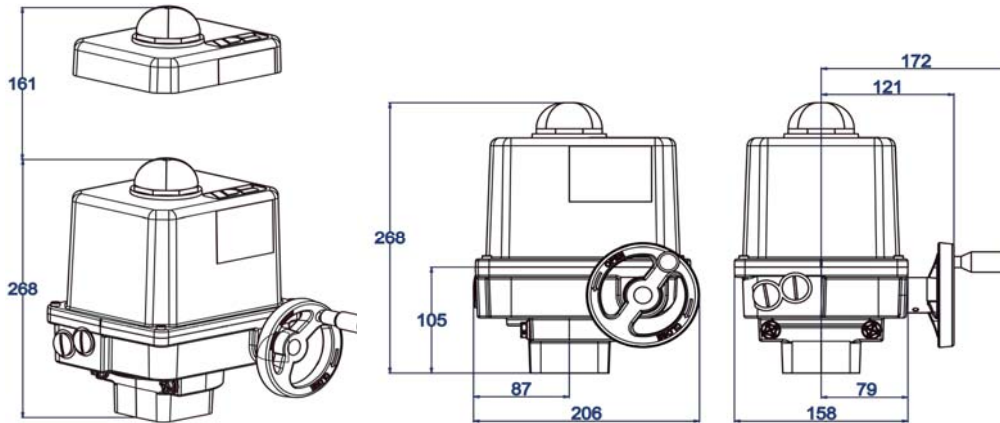
130 Nm
max. Torque

32 s
Operating time/90°

Flange F05 / F07

Actuator
Class C
acc. to DIN EN ISO 22153

Enclosure IP67
acc. to EN 60529



weight: approx. 6 kg without accessories

Operating Time/90°	23 s [50 Hz] / 19 s [60 Hz]				32 s	PSQ-E130 130 Nm
Power Supply [V]	230 VAC 1~	115 VAC 1~	24 VAC 1~	400 VAC 3~	24 VDC	
Frequency [Hz]					-	
Nominal Current [A]					1.3	
Maximum Current [A]					2.5	
Power Consumption) ³ [W]	see PSQ-E100 or PSQ-E150				31	
Duty Cycle IEC 60034-1,8) ¹	
Ambient Temperature [°C]) ²	
Overvoltage Category					II	
Motor Protection					Multifuse	
Standard Equipment						Accessories / Options
Add'l Position Switches 2WE	2 additional position switches included (changeover contact) current rating: 1 A inductive, 3 A ohmic; max. voltage: 250 VAC					
Drive Bush	22 mm double square, drawing see back side					
Accessories / Options	230 VAC 1~	115 VAC 1~	24 VAC 1~	400 VAC 3~	24 VDC	
Heating HR	see PSQ-E100 or PSQ-E150				•	
Potentiometer PD					•	
Position Transmitter PSPT					•	
Enclosure IP68 IP					•	

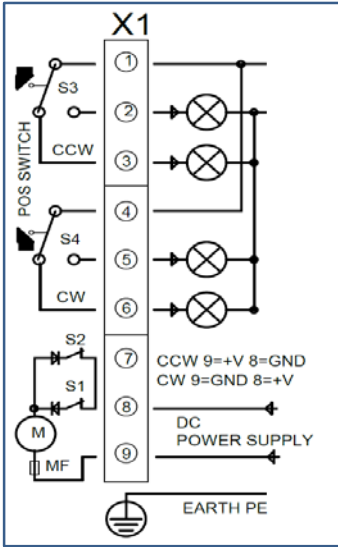
)¹ S2 - 30 min, S3/S4 1200 c/h - 50% ED at 25°C

)² -25°C to +70°C

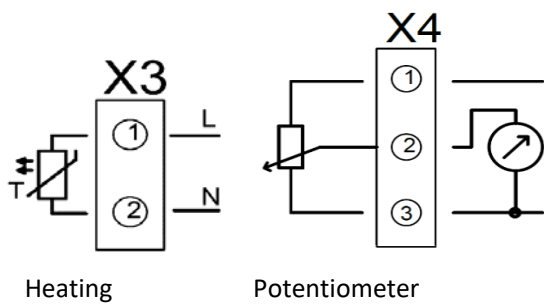
)³ at max. torque

Electric Wiring Diagram

24 VDC

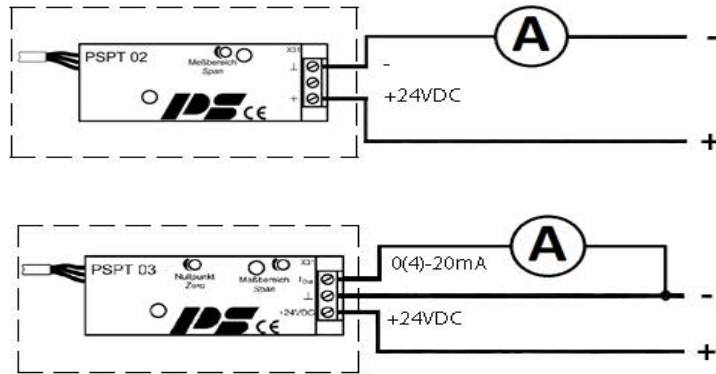


Options



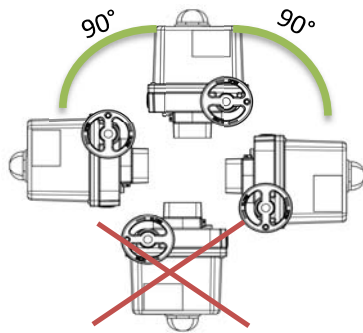
Heating

Potentiometer



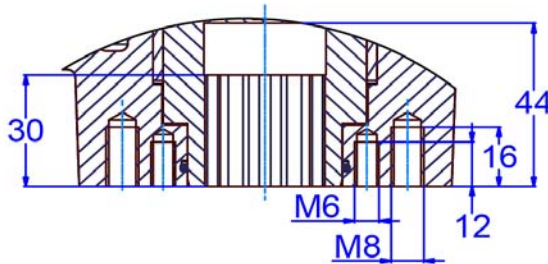
Position transmitter PSPT

Mounting Positions

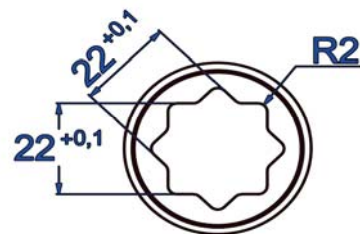


ISO Flange Dimensions

ISO 5211	F05	F07
----------	-----	-----



Double Square Drive



Please check drive bushes datasheet for available sizes!
Other customized drive bushes on request!