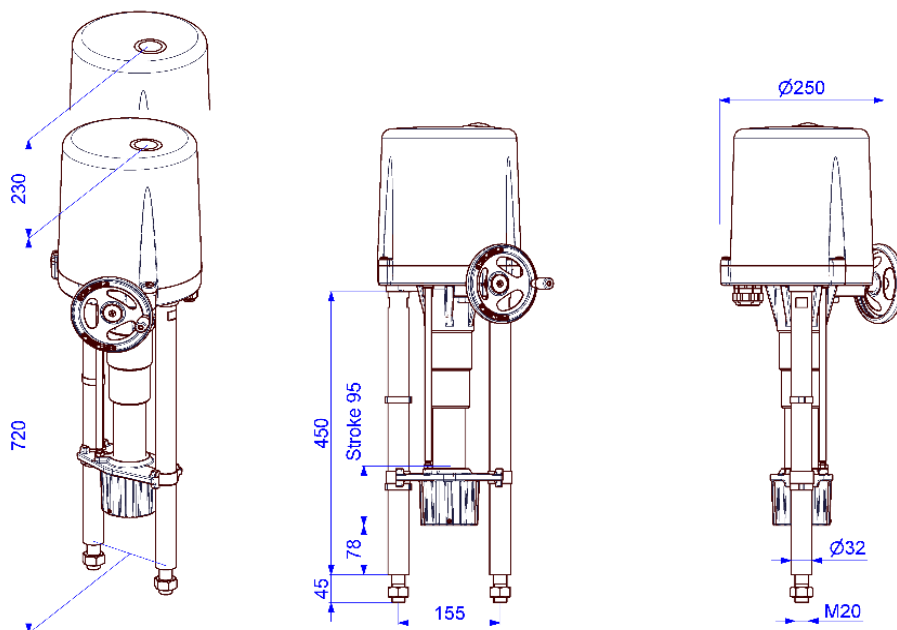


Electric Linear Actuator

PSL320/325



20/25 kN
Max. Thrust)¹

1.0 mm/s
Operating Speed

max. 95 mm
Stroke

Modulating Actuator
Class C
DIN EN ISO 22153

Enclosure IP65
EN 60529

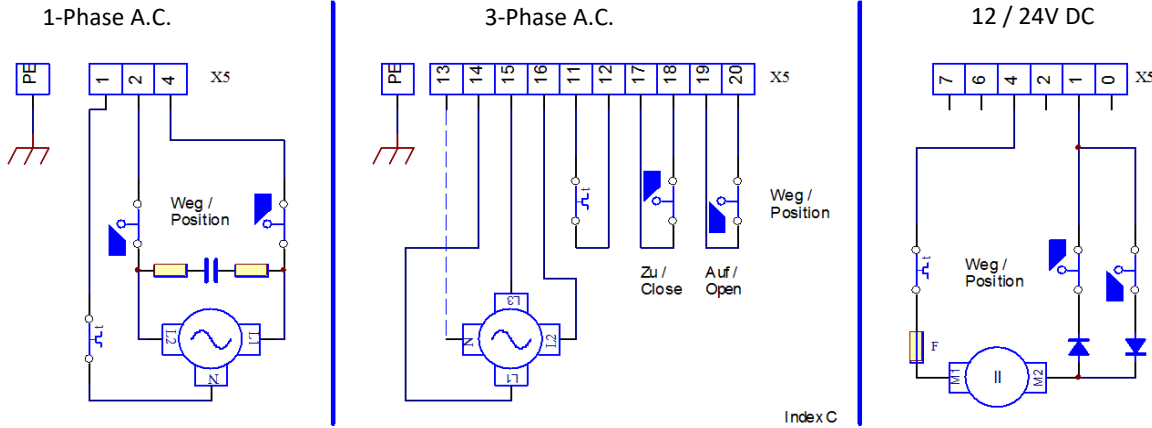
Approx. weight: 23 kg without accessories

Velocity	1.0 mm/s [50Hz] / 1.2 mm/s [60Hz]				0.4 mm/s	PSL320
Power Supply [V]	230 VAC 1~	115 VAC 1~	24 VAC 1~	400 V 3~	24 VDC	
Frequency [Hz]	50 / 60	50 / 60	50 / 60	50 / 60	-	
Rated Current [A]	0.58	1.2	6.0	0.4	2.6	
max. Current [A]	0.95	1.9	8.5	0.6	8	
Power Consumption) ² [W]	137	140	145	120	63	
Duty Cycle IEC 60034-1,8	S2 30min / S4 50% ED @ 25° C					
Ambient Temperature [°C]	-20 bis +80 (S2) / -20 bis +60 (S4)					
Overvoltage Category	II					
Motor Protection	Thermo switch				Multifuse	
Velocity	1.0 mm/s [50Hz] / 1.2 mm/s [60Hz]				0.4 mm/s	PSL325
Power Supply [V]	230 VAC 1~	115 VAC 1~	24 VAC 1~	400 V 3~	24 VDC	
Frequency [Hz]	50 / 60	50 / 60	50 / 60	50 / 60	-	
Rated Current [A]	0.62	1.2	6.5	0.5	3.0	
max. Current [A]	0.95	1.9	8.5	0.6	8.0	
Power Consumption) ² [W]	145	145	160	140	72	
Duty Cycle IEC 60034-1,8	S2 30min / S4 50% ED @ 25° C					
Ambient Temperature [°C]	-20 bis +80 (S2) / -20 bis +60 (S4)					
Overvoltage Category	II					
Motor Protection	Thermo switch					
Standard	Description				Standard equipment	
Cable glands	3 pcs. M20 x 1,5					

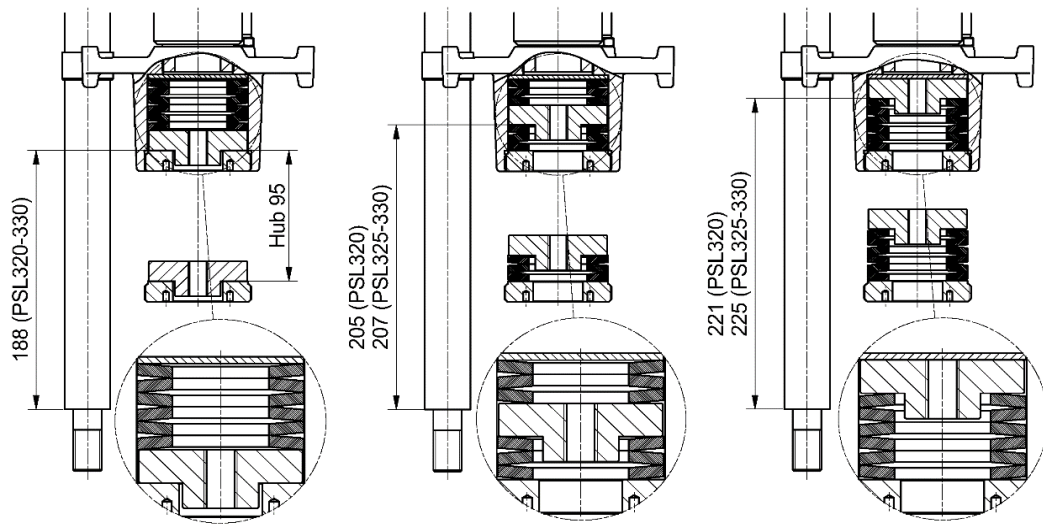
)¹ = permissible average thrust over the entire travel is 50% of the max. thrust

)² = at max. thrust

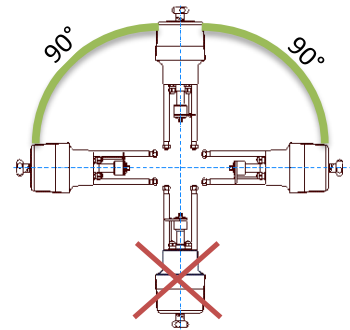
Wiring Diagram



Dimensions of the PS-Standard-Adaptation



Mounting Position



Accessories/ Options	Supply Voltage	230 VAC 1~	115 VAC 1~	24 VAC 1~	400 V 3~	24 VDC	
	Position Signal Switch: 2WE	•	•	•	•	•	
	Position Signal	•	•	•	•	•	
	Switches Gold	•	•	•	•	•	
	Positioner	•	•) ³	•) ³	•) ⁴		
	Position Transmitter	•	•	•	•	•	
	Space Heating	•	•	•	•) ⁵	•	
	Potentiometer	•	•	•	•	•	
	Reversing Starter						
	Contactor	WSM01			•		
	Increased enclosure	IP	Increase of enclosure to IP67				

For more information and accessories, please visit our website www.ps-automation.com!

• = available, for further information see respective datasheet

)³ = PSAP with external relay required

)⁴ = only to be used with reversing starter contactor

)⁵ = supply voltage 24 V or 115-230 V

Subject to changes!