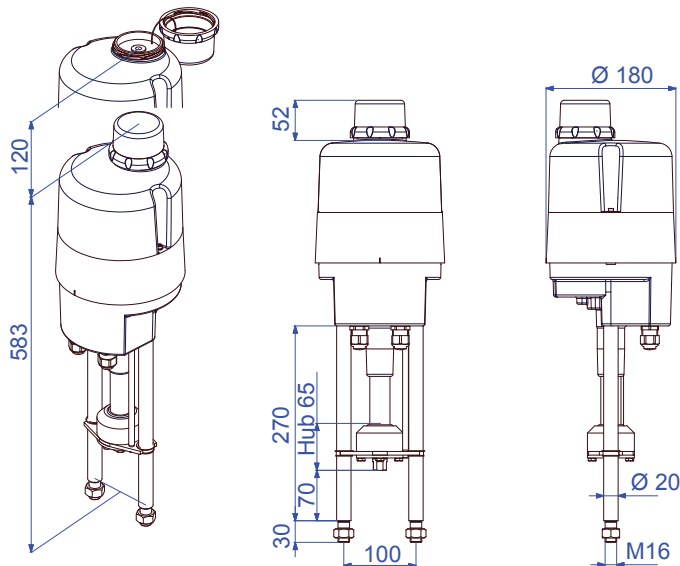


# Electric Linear Actuator

**PSL214**



Approx. weight: 8 kg without accessories

Dimensions are only valid up to and including connection M16!

**14 kN**  
Max. Thrust )<sup>1</sup>

**0,45 mm/s**  
Velocity

**maximum 65 mm**  
Stroke

Modulating Actuator  
**Class C**  
acc. DIN EN ISO 22153

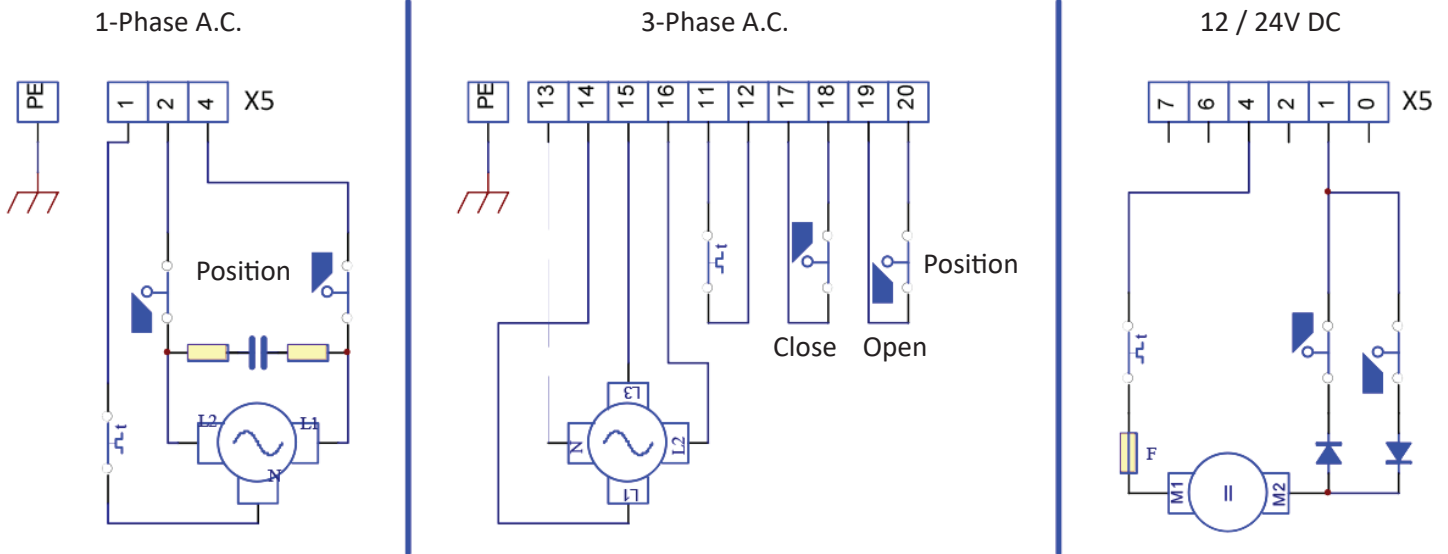
**Enclosure IP65**  
acc. EN 60529

Velocity	0,45 mm/s [50 Hz] / 0,6 mm/s [60 Hz]						PSL214
Power Supply [V]	230 VAC 1~	115 VAC 1~	24 VAC 1~	400 V 3~	24 VDC		
Frequency [Hz]	50 / 60	50 / 60	50 / 60	50 / 60	50 / 60		
Normal Current [A]	0.24	0.45	2.3	0.13	1.5		
Maximum Current [A]	0.3	0.54	2.8	0.15	2.5		
Power Consumption ) <sup>2</sup> [W]	55	52	52	30	36		
Duty Cycle IEC 60034-1,8	S2 - 20 min, S3/S4 25% dc @ 25°C - 1200 c/h						
Ambient Temperature [°C]	-20°C to +80°C (S2) / -20°C to +60°C (S4)						
Overvoltage Category	II						
Motor Protection	Thermo switch				Multifuse		
Standard	Description						Standard Equipment
Cable glands	2 pcs. M 20 x 1,5						

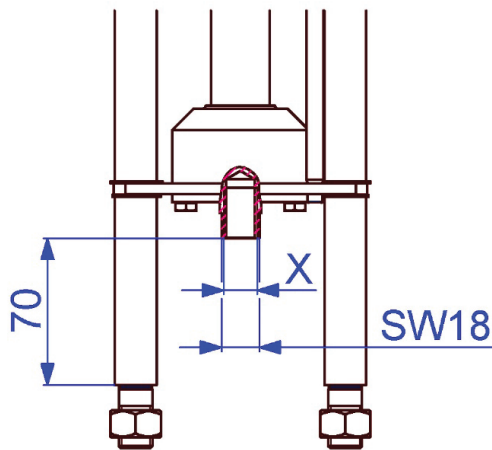
)<sup>1</sup> = Permissible average thrust over the entire travel is 50% of the max. thrust

)<sup>2</sup> = at max. thrust

**Electrical Connection Plan**



**Dimensions of the PS-Standard-Adaptation**

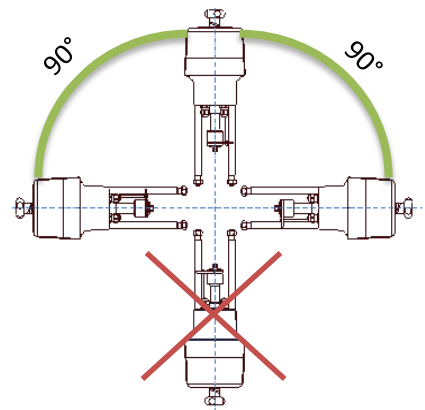


**Connection Thread X**

M8	Optional
M10	Optional
M12	Optional
M14	Optional
M16	Standard

*Fine threads and other sizes on request!*

**Mounting Position**



Accessories / Options	Power Supply	230 VAC 1~	115 VAC 1~	24 VAC 1 ~	400 V 3~	24 VDC
	Add'l Position Switches 2WE	•	•	•	•	•
	Add'l Position Switches Gold 2WE Gold	•	•	•	•	•
	Positioner PSAP	•	•	•) <sup>3</sup>	•) <sup>4</sup>	
	Position Transmitter PSPT	•	•	•	•	•
	Heating Resistor HR	•	•	•	•) <sup>5</sup>	•
	Potentiometer PD	•	•	•	•	•
	Reversing Starter Contactor WSM01				•	
	IP67 Metal Cover IP67	Increase of enclosure to IP67				
	IP68 Metal Cover IP68	IP68 incl. heating resistor				

• available, for further information see respective datasheet  
 )<sup>3</sup> = PSAP with external relay required (Version .../R)  
 )<sup>4</sup> = only to be used with reversing starter contactor  
 )<sup>5</sup> = supply voltage 24 V or 115-230 V possible  
 )<sup>5</sup> = IP68, no ingress of dust and suitable for continuous immersion in water up to 6 m and 96 h

For more information and accessories, please visit our website [www.ps-automation.com](http://www.ps-automation.com)!

Subject to changes!