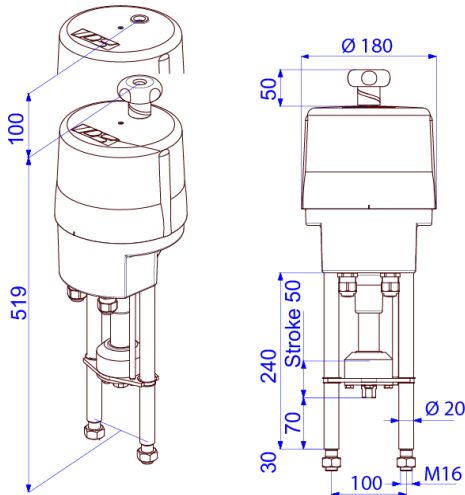


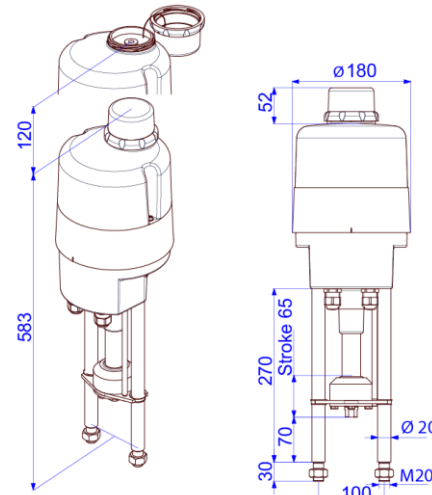
Electric Linear Actuator

Stroke 50 (IP65)



Dimensions are only valid up to and including connection M16!
 Approx. weight: 7.2 kg without accessories

Stroke 65 (IP67)



Dimensions are only valid up to and including connection M16!
 Approx. weight: 9.2 kg without accessories

8/10 kN
 Max. Thrust)¹

0.35 - 1.0 mm/s
 Operating Speed

Stroke 50 mm
 opt. 65 mm

Modulating Actuator
 Class C
 DIN EN ISO 22153

Enclosure IP65
 EN 60529

Velocity	0.65 mm/s [50Hz] / 0.78 mm/s [60Hz]				
Power Supply [V]	230 VAC 1~	115 VAC 1~	24 VAC 1~	400 V 3~	24 VDC
Frequency [Hz]	50 / 60	50 / 60	50 / 60	50 / 60	
Rated Current [A]	0.24	0.45	2.3	0.13	
max. Current [A]	0.3	0.54	2.8	0.15	
Power Consumption) ² [W]	55	55	55	30	
Duty Cycle IEC 60034-1	S2 30min / S4 50% ED @ 25° C				
Ambient Temperature [°C]	-40°C to +60°C				
Overvoltage Category	II				
Motor Protection	Thermo switch				

PSL208

Velocity	0.45 mm/s [50Hz] / 0.54 mm/s [60Hz]				
Power Supply [V]	230 VAC 1~	115 VAC 1~	24 VAC 1~	400 V 3~	24 VDC
Frequency [Hz]	50 / 60	50 / 60	50 / 60		
Rated Current [A]	0.24	0.45	2.3		
max. Current [A]	0.3	0.54	2.8		
Power Consumption) ² [W]	55	52	52		
Duty Cycle IEC 60034-1	S2 30min / S4 50% ED @ 25° C				
Ambient Temperature [°C]	-40°C to +60°C				
Overvoltage Category	II				
Motor Protection	Thermo switch				

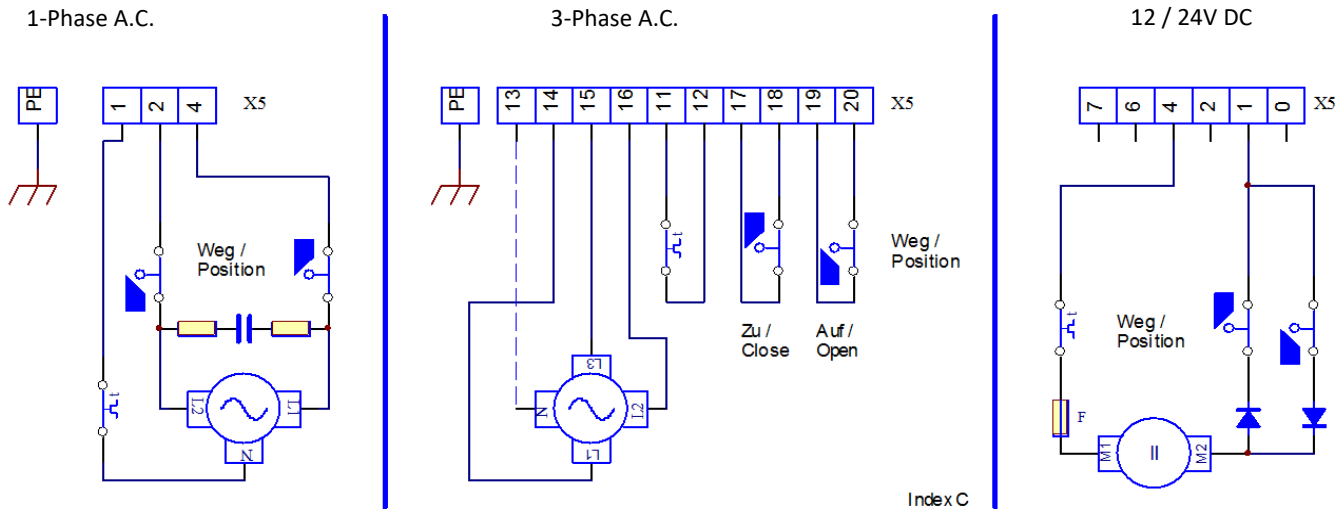
PSL210

Standard	Description
Cable glands	2 pcs. M20 x 1,5

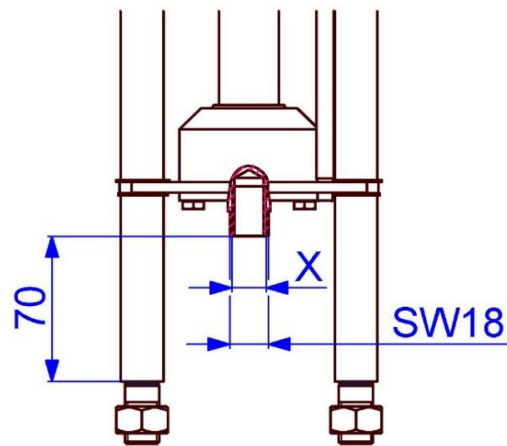
Standard equipment

)¹ = permissible average thrust over the entire travel is 50% of the max. thrust
)² = at max. thrust

Wiring Diagram



Dimensions of the PS-Standard-Adaptation

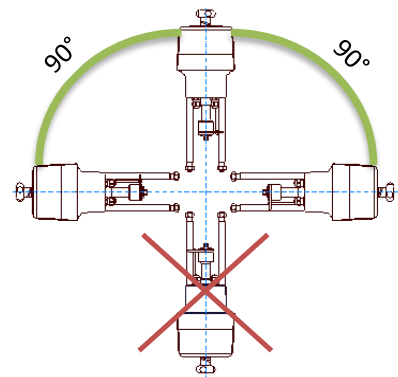


Connection Thread X

M8	Optional
M10	Optional
M12	Optional
M14	Optional
M16	Standard

Fine Threaded and other sizes on request!

Mounting Position



Accessories/ Options	Supply Voltage	230 VAC 1~	115 VAC 1~	24 VAC 1~	400 V 3~	24 VDC
	Position Signal Switches 2WE	•	•	•	•	•
	Position Signal Switches Gold	•	•	•	•	•
	Positioner PSAP	•	•	•) ³	•) ⁴	
	Position Transmitter PSPT	•	•	•	•	•
	Space Heating HR	•	•	•	•) ⁵	•
	Potentiometer PD	•	•	•	•	•
	Reversing Starter Contactor WSM01				•	
	IP67 Metal Cover IP67	Increase of enclosure to IP67				
	IP68 Metal Cover IP68	IP68) ⁶ incl. heating resistor HR				

For more information and accessories, please visit our website www.ps-automation.com!

• = available, for further information see respective datasheet

)³ = PSAP with external relay required

)⁴ = only to be used with reversing starter contactor

)⁵ = supply voltage 24 V or 115-230 V

)⁶ = IP68, no ingress of dust and suitable for continuous immersion in water up to 6 m and 96 h

Subject to changes!