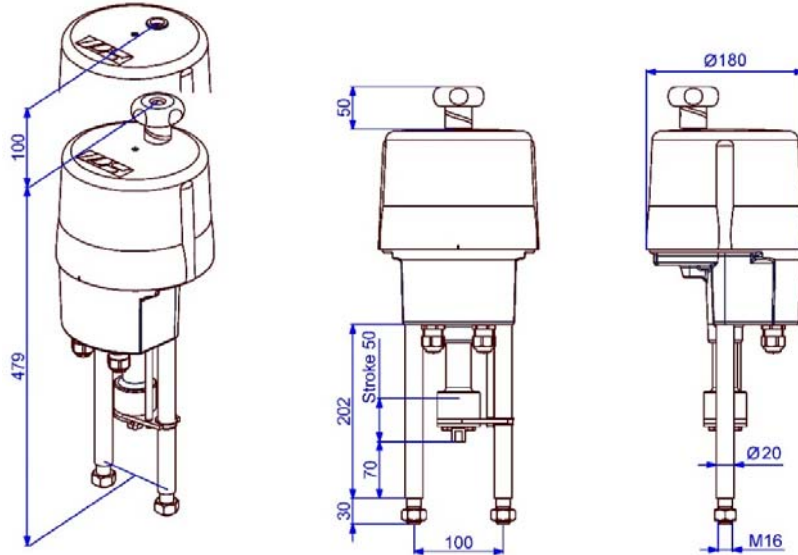


Electric Linear Actuator

PSL204



Dimensions are only valid up to and including connection M12!

Approx. weight: 4.5 kg without accessories

4.5 kN

Max. Thrust¹⁾

0.5 - 1.4 mm/s
Operating Speed

max. 50 mm
Stroke

Modulating Actuator
Class C
DIN EN ISO 22153

Enclosure IP65
EN 60529

Velocity	0.5 mm/s [50 Hz] / 0.6 mm/s [60 Hz]				
Power Supply [V]	230 VAC 1~	115 VAC 1~	24 VAC 1~	400 V 3~	24 VDC
Frequency [Hz]	50 / 60	50 / 60	50 / 60		
Rated Current [A]	0.08	0.17	0.79		
max. Current [A]	0.08	0.2	0.95		
Power Consumption) ² [W]	18	19	19		
Duty Cycle IEC 60034-1	S2 30 min / S4 50% ED @ 25°C				
Ambient Temperature [°C]	-20°C to +80°C (S2) / -20°C to +60°C (S4)				
Overvoltage Category	II				
Motor Protection	Thermo switch				

PSL204

Velocity	1.4 mm/s [50 Hz] / 1.7 mm/s [60 Hz]				1.00 mm/s
Power Supply [V]	230 VAC 1~	115 VAC 1~	24 VAC 1~	400 V 3~	24 VDC
Frequency [Hz]	50 / 60	50 / 60	50 / 60	50 / 60	-
Rated Current [A]	0.23	0.43	2.1	0.21	0.1
max. Current [A]	0.27	0.52	2.5	0.26	2.5
Power Consumption) ² [W]	52	49	49	51	24
Duty Cycle IEC 60034-1	S2 30 min / S4 50% ED @ 25°C				see left
Ambient Temperature [°C]	-20°C to +80°C (S2) / -20°C to +60°C (S4)				see left
Overvoltage Category	II				II
Motor Protection	Thermo switch				Multifuse

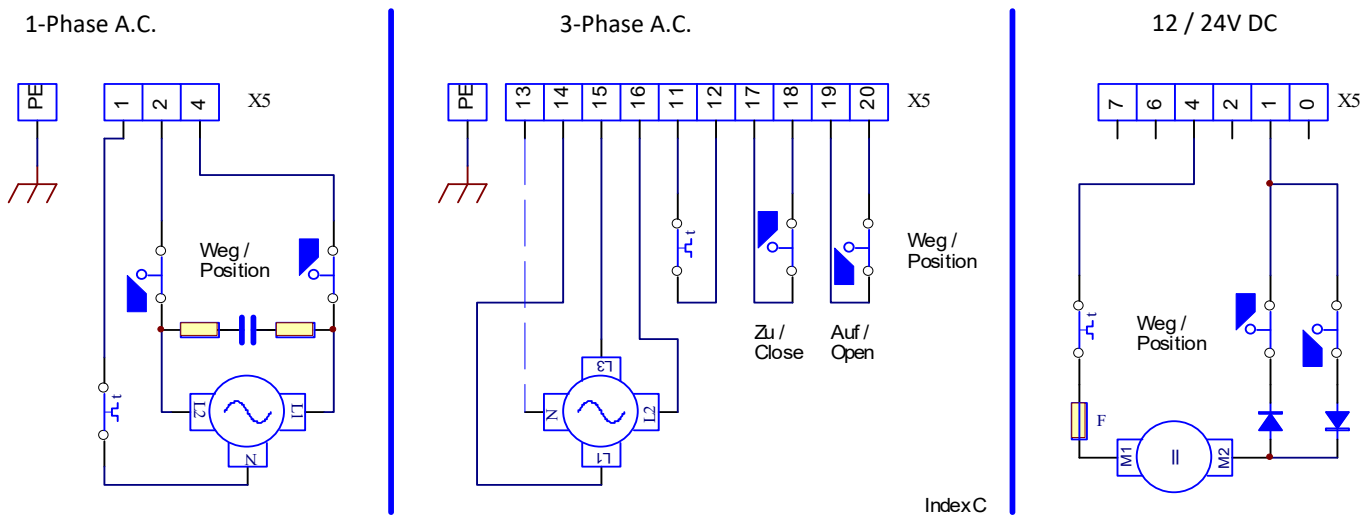
PSL204.1

Standard	Description	Standard equipment
Cable glands	2 pcs. M20 x 1,5	

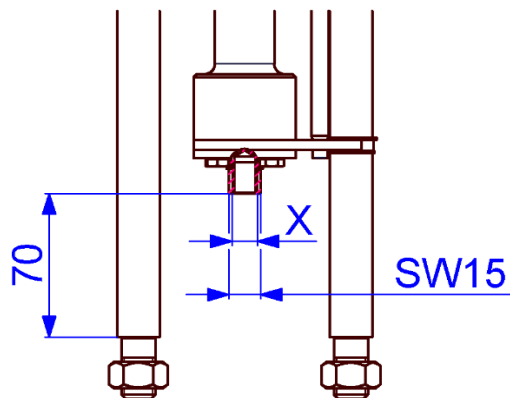
¹⁾ = permissible average thrust over the entire travel is 50% of the max. thrust

²⁾ = at max. thrust

Wiring Diagram



Dimensions of the PS-Standard-Adaptation

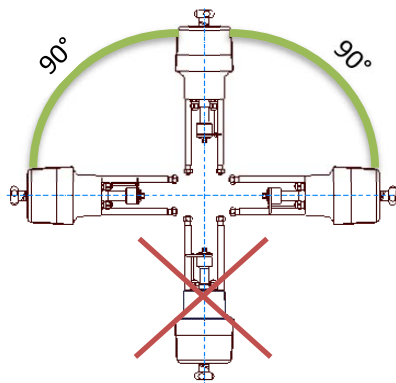


Connection Thread X

M8	Optional
M10	Optional
M12	Standard
M14	Optional
M16	Optional

Fine Threaded and other sizes on request!

Mounting Position



Accessories/ Options	Supply Voltage	230 VAC 1~	115 VAC 1~	24 VAC 1~	400 V 3~	24 VDC
	Position Signal Switches Gold 2WE	•	•	•	•	•
	Position Signal Switches Gold	•	•	•	•	•
	Positioner PSAP	•	•	•) ³	•) ⁴	
	Position Transmitter PSPT	•	•	•	•	•
	Space Heating HR	•	•	•	•) ⁵	•
	Potentiometer PD	•	•	•	•	•
	Reversing Starter Contactor WSM01				•	
IP67 Metal Cover IP67	Increase of enclosure to IP67					
IP68 Metal Cover IP68	IP68) ⁶ incl. heating resistor HR					

For more information and accessories, see "Standard Accessories"!

• = available, for further information see respective datasheet

)³ = PSAP with external relay required

)⁴ = only to be used with reversing starter contactor

)⁵ = supply voltage 24 V or 115-230 V

)⁶ = IP68, no ingress of dust and suitable for continuous immersion in water up to 6 m and 96 h

Subject to changes!