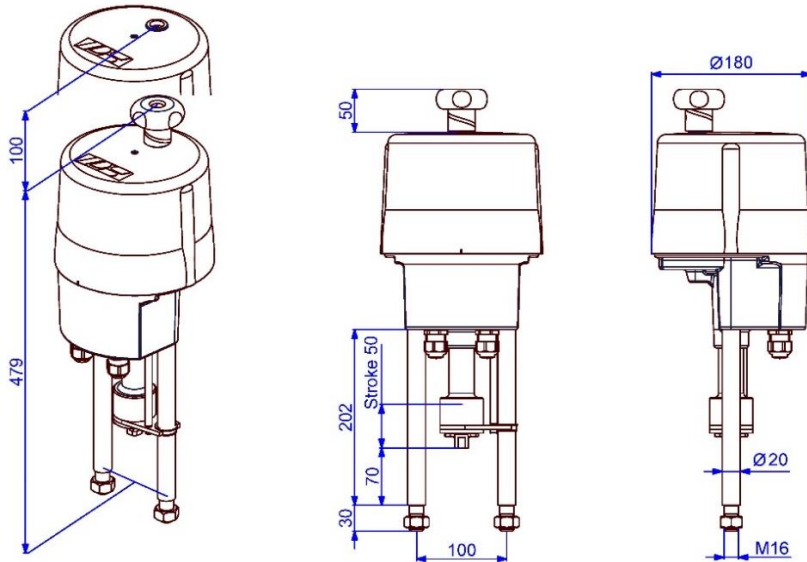


Electric Linear Actuator

PSL204 -40°C
Low Temperature Version



Dimensions are only valid up to and including connection M12!

Approx. weight: 4.5 kg without accessories

4.5 kN

Max. Thrust)¹

0.5 - 1.4 mm/s
Operating Speed

max. 50 mm
Stroke

Modulating Actuator
Class C
DIN EN ISO 22153

Enclosure IP65
EN 60529

Velocity	0.5 mm/s [50 Hz] / 0.6 mm/s [60 Hz]					
Power Supply [V]	230 VAC 1~	115 VAC 1~	24 VAC 1~	400 V 3~	24 VDC	
Frequency [Hz]	50 / 60	50 / 60	50 / 60			
Rated Current [A]	0.08	0.17	0.79			
max. Current [A]	0.08	0.2	0.95			
Power Consumption) ² [W]	18	19	19			
Duty Cycle IEC 60034-1	S2 30 min / S4 80% ED @ 25°C					
Ambient Temperature [°C]	-40°C to +60°C					
Overvoltage Category	II					
Motor Protection	Thermo switch					

PSL204

Velocity	1.4 mm/s [50 Hz] / 1.7 mm/s [60 Hz]				
Power Supply [V]	230 VAC 1~	115 VAC 1~	24 VAC 1~	400 V 3~	
Frequency [Hz]	50 / 60	50 / 60	50 / 60	50 / 60	
Rated Current [A]	0.23	0.43	2.1	0.21	
max. Current [A]	0.27	0.52	2.5	0.26	
Power Consumption) ² [W]	52	49	49	51	
Duty Cycle IEC 60034-1	S2 30 min / S4 50% ED @ 25°C				
Ambient Temperature [°C]	-40°C to +60°C				
Overvoltage Category	II				
Motor Protection	Thermo switch				

PSL204.1

Standard	Description
Cable glands	2 pcs. M20 x 1,5

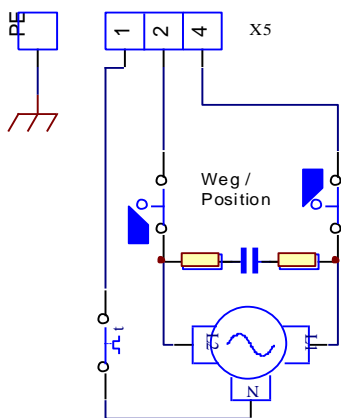
Standard equipment

)¹ = permissible average thrust over the entire travel is 50% of the max. thrust

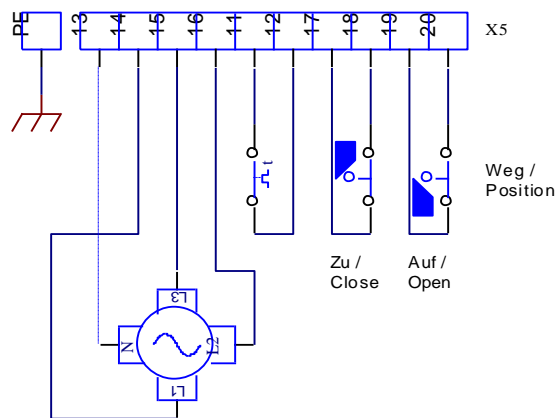
)² = at max. thrust

Wiring Diagram

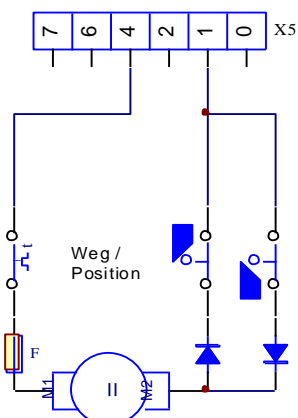
1-Phase A.C.



3-Phase A.C.

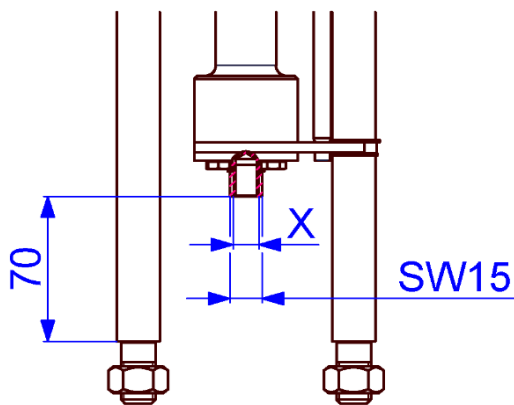


12 / 24V DC



Index C

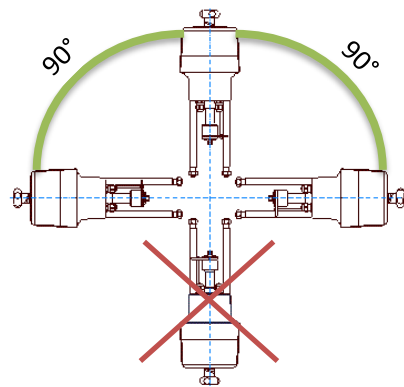
Dimensions of the PS-Standard-Adaptation



Connection Thread X

M8	Optional
M10	Optional
M12	Standard
M14	Optional
M16	Optional

Fine Threaded and other sizes on request!



Mounting Position

Accessories/
Options

Supply Voltage		230 VAC 1~	115 VAC 1~	24 VAC 1~	400 V 3~	24 VDC
Position Signal Switches 2WE		•	•	•	•	•
Position Signal Switches Gold	Gold	•	•	•	•	•
Positioner	PSAP	•	•	•) ³	•) ⁴	
Position Transmitter	PSPT	•	•	•	•	•
Space Heating	HR	•	•	•	•) ⁵	•
Potentiometer	PD	•	•	•	•	•
Reversing Starter Contactor	WSM01				•	
IP67 Metal Cover	IP67	Increase of enclosure to IP67				
IP68 Metal Cover	IP68	IP68) ⁶ incl. heating resistor HR				

For more information and accessories, see "Standard Accessories"!

• = available, for further information see respective datasheet

)³ = PSAP with external relay required

)⁴ = only to be used with reversing starter contactor

)⁵ = supply voltage 24 V or 115-230 V

)⁶ = IP68, no ingress of dust and suitable for continuous immersion in water up to 6 m and 96 h

Subject to changes!