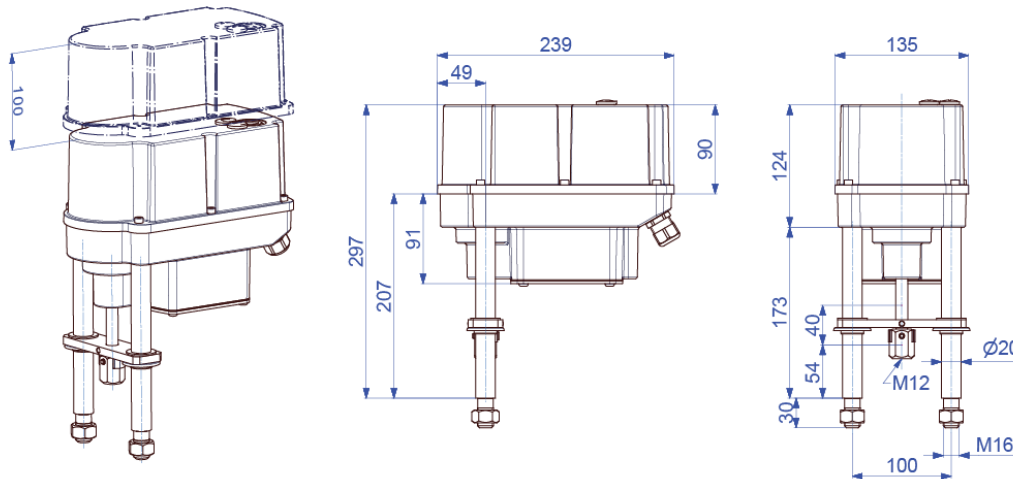


Explosion-Proof Linear Actuator with mechanical failsafe function



PSF-EX

Spring Return Function

1 - 2 kN
Minimum Force)¹

0.3 mm/s
Operating speed

5 - max. 40 mm
Stroke

Positioner integrated

Actuator
Class C
acc. EN ISO 22153

Enclosure IP65
EN 60529

Approx. weight: 7.2 kg without accessories

Operating speed		0.3 mm/s		PSF-401-EX 1 kN
Device category		II 2G II 2D		
EU Type Examination Certificate		TPS 22 ATEX 110398 0002 X		
ATEX directive gases		Ex db eb IIC T6/T4 Gb Ex h db eb IIC T6/T4 Gb		
ATEX directive dusts		Ex tb IIIC T80°C/T100°C Db Ex h tb IIIC T80°C/T100°C Db		
IECEX CoC		IECEX TPS 22.0019X		
IECEX directive gases		Ex db eb IIC T6/T4 Gb		
IECEX directive dusts		Ex tb IIIC T80°C/T100°C Db		
Power Supply	[V]	100-240 VAC 1~	24 VAC/DC	
Frequency	[Hz]	50 - 60	50 - 60	
Nominal Current	[A]	0.05 - 0.09	0.44 / 0.22	
Maximum Current	[A]	0.05 - 0.09	0.44 / 0.22	
Power Consumption) ²	[W]	6.5	6.5 / 5.5	
Duty Cycle	IEC 60034-1,8	S2 30 min / S4 50% ED - 1200c/h		

Operating speed		0.3 mm/s		PSF-402-EX 2 kN
Device category		II 2G II 2D		
EU Type Examination Certificate		TPS 22 ATEX 110398 0002 X		
ATEX directive gases		Ex db eb IIC T6/T4 Gb Ex h db eb IIC T6/T4 Gb		
ATEX directive dusts		Ex tb IIIC T80°C/T100°C Db Ex h tb IIIC T80°C/T100°C Db		
IECEX CoC		IECEX TPS 22.0019X		
IECEX directive gases		Ex db eb IIC T6/T4 Gb		
IECEX directive dusts		Ex tb IIIC T80°C/T100°C Db		
Power Supply	[V]	100-240 VAC 1~	24 VAC/DC	
Frequency	[Hz]	50 - 60	50 - 60	
Nominal Current	[A]	0.08 - 0.15	0.8 / 0.4	
Maximum Current	[A]	0.08 - 0.15	0.8 / 0.4	
Power Consumption) ²	[W]	10	10 / 9	
Duty Cycle	IEC 60034-1,8	S2 30 min / S4 50% ED - 1200c/h		

)¹ = permissible average force over the entire travel is 50% of the max. thrust

)² = at max. force

Standard	Description
Ambient Temperature [°C]	-10°C ≤ Ta ≤ +40°C (T6) / +60°C (T4)
Motor Protection	electronic motor current monitoring with safety cut-off
Overvoltage Category	II
Set Value and Feedback	0-20 mA, 4-20 mA, 0-10 V, 2-10 V selectable
Binary Control	24 - 230 VAC & 24 VDC for ON/OFF service
Valve Positioner Function	integrated, deadband 0.6% of full signal range, shut-off minimum
Automatic Start-up	Recognizing the end position(s) and autoscaling set and feedback values
Internal Fault Monitoring	torque, set value, temperature, power supply
Cable Glands	2 pcs. ISO M20 x 1.5 and 1 pcs. ISO M16 x 1.5
Fail-Safe Operating Direction	Spring Extend (SE) - Spring extends actuator stem or Spring Retract (SR) - Spring retracts actuator stem

PSF-EX

Technical Data

Electrical Connection Plan

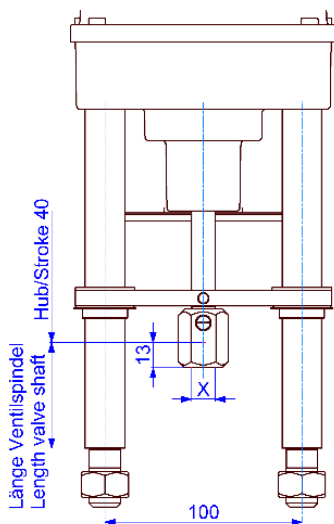
24V AC/ DC

GND	Set Value	Feedback	L/+ OPEN	Com	L/+ CLOSE	24VAC/DC Power Supply	
8	7	6	5	4	3	V-	V+
						2	1

100-240V AC

GND	Set Value	Feedback	L/+ OPEN	Com	L/+ CLOSE	100-240VAC Power Supply	
8	7	6	5	4	3	V-	V+
						2	1

Valve Connection

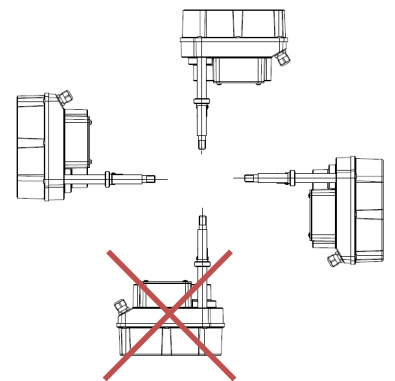


Connection Thread X

M8	Optional
M10	Optional
M12	Standard

Fine threads and other sizes on request!

Mounting Position



Accessories / Options

Higher Enclosure	IP	Higher Enclosure to IP 67
Diagnose-Kit		Diagnosis-Kit PSF including Software and USB Data Cable

For more information and accessories, please visit our website www.ps-automation.com!

Subject to changes!