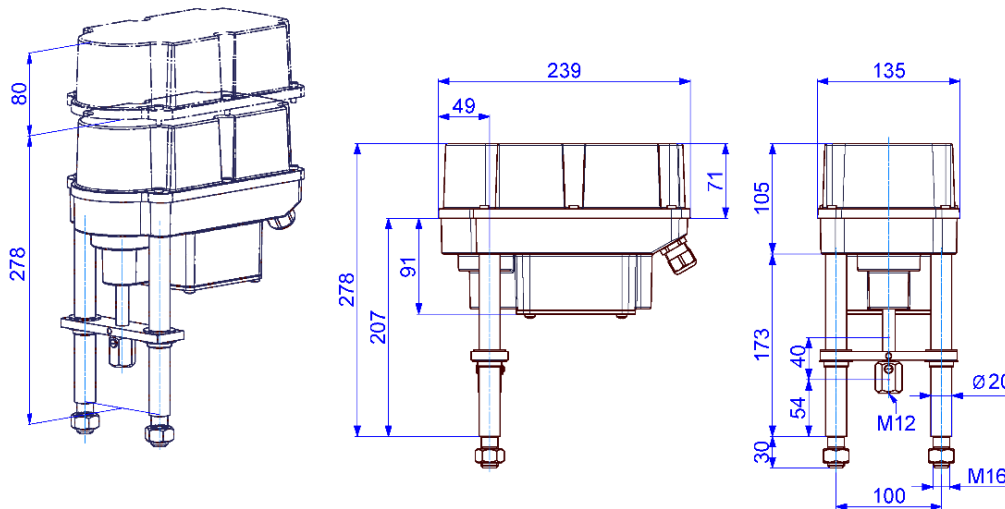


Linear Actuator with Fail-Safe Function

PSF



Spring Return Function

2 kN
Minimum Force ¹⁾

2 mm/s
Operating speed

5 - max. 40 mm
Stroke

Positioner integrated

Modulating Actuator
Class C
acc. EN ISO 22153

Enclosure IP65
EN 60529

Approx. weight: 5.6 kg without accessories

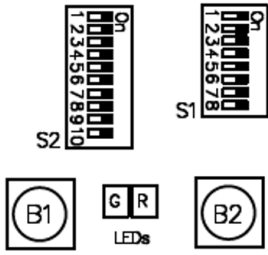
Operating speed		2 mm/s (motor operation or failsafe operation) ³⁾		PSF402.2 2 kN
Power Supply	[V]	100-240 VAC 1~	24 VAC/DC	
Frequency	[Hz]	50 - 60	50 - 60	
Nominal Current	[A]	0.18 - 0.36	1.8 / 1.1	
Maximum Current	[A]	0.18 - 0.36	1.8 / 1.1	
Power Consumption ²⁾	[W]	25	25	
Duty Cycle	IEC 60034-1,8	S2 30 min / S4 50% ED - 1200c/h		
Standard	Description			Standard Equipment
Ambient Temperature	[°C]	-10 to +60 °C		
Motor Protection	electronic motor current monitoring with safety cut-off			
Overvoltage Category	II			
Set Value and Feedback	0-20 mA, 4-20 mA, 0-10 V, 2-10 V selectable			
Binary Control	24 - 230 VAC & 24 VDC for ON/OFF service			
Valve Positioner Function	integrated, deadband 0.6% of full signal range, shut-off minimum			
Automatic Start-up	Recognizing the end position(s) and autoscaling set and feedback values			
Internal Fault Monitoring	torque, set value, temperature, power supply			
Cable Glands	2 pcs. ISO M20 x 1.5 and 1 pcs. ISO M16 x 1.5			
Fail-Safe Operating Direction	Spring Extend (SE) - Spring extends actuator stem or Spring Retract (SR) - Spring retracts actuator stem			

¹⁾ = permissible average force over the entire travel is 50% of the max. thrust

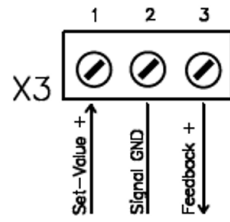
²⁾ = at max. force

³⁾ = operating speed +/- 10%

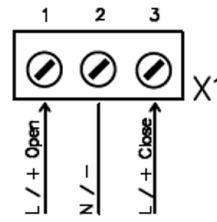
Electrical Connection Plan



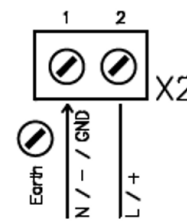
DIP Switches / Local Control Buttons



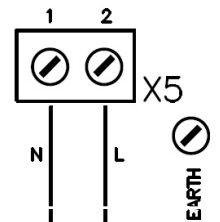
Analog Input / Output
Galvanic isolated



Binary input signals
Galvanic isolated
24 - 230VAC & 24 VDC

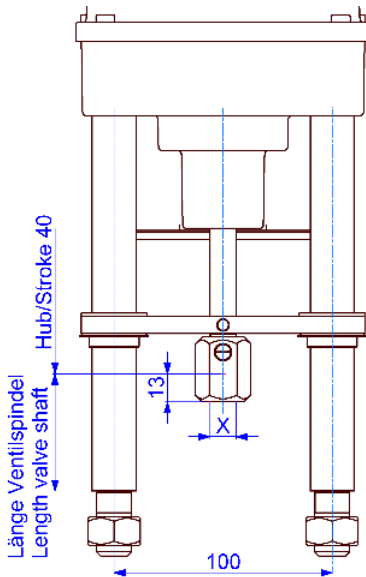


24VAC / DC Supply Power



100-240 VAC Supply Power
Wide Range Power Supply
converter

Valve Connection

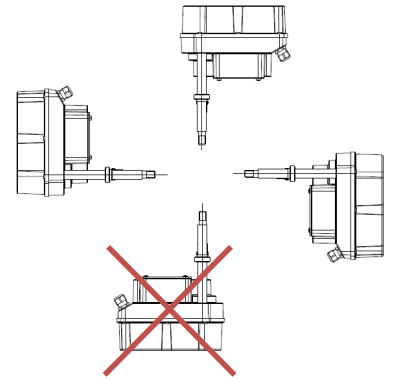


Connection Thread X

M8	Optional
M10	Optional
M12	Standard

Fine threads and other sizes on request!

Mounting Position



Accessories/ Options	Add'l Position Switches, mechanical	2WE	2 potential-free position switches, mechanical, with silver changeover contacts (0.1 A - 5 A switching current)
	Add'l Position Switches Gold	2WE Gold	2 potential-free position switches, mechanical, with gold changeover contacts (0.1 mA - 100 mA switching current)
	Position Signal Relays		2 position signal relays with changeover contacts, calibrated automatically to valve stroke 24 V to 230 V AC/DC @ 0.1 A - 1 A Switching point adjustable 0-100 % of the stroke using potentiometers
	Heating Resistor	HR	Heating resistor to prevent condensation
	Wide Range Power Supply		100 - 240 VAC 1~
	Increased Enclosure	IP	Increase of enclosure to IP67

For more information and accessories, please visit our website www.ps-automation.com!