

# Electric 90° Quarter-Turn Actuator

PSF-Q

Spring Return  
Function

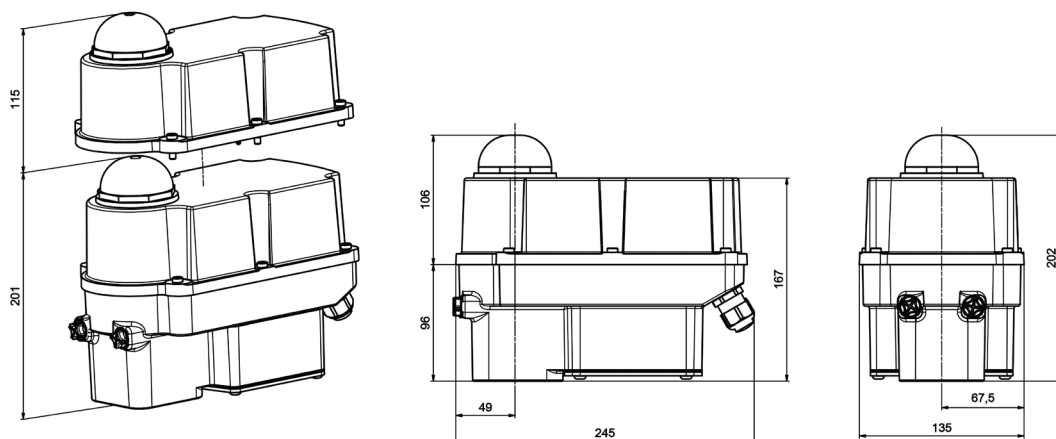
50 - 80 Nm  
Switching torque)<sup>1</sup>

25 / 30 s  
Operating Time/90°

Flange  
F05 + F07  
Positioner  
integrated

Modulating Actuator  
Class C  
acc. EN ISO 22153

Enclosure IP65  
EN 60529



Approx. weight: 5.9 kg without accessories

Operating time / 90°	25 s (motor operation) ) <sup>3</sup>		PSF-Q 50 Nm
Power Supply [V]	100-240 VAC 1~	24 VAC/DC	
Frequency [Hz]	50 - 60	50 - 60 / -	
Nominal Current [A]	0.16 - 0.32	1.15 / 0.8	
Maximum Current [A]	0.16 - 0.32	1.15 / 0.8	
Power Consumption ) <sup>2</sup> [W]	22	22 / 20	
Duty Cycle IEC 60034-1,8	S2 30 min / S4 50% ED - 1200c/h		

Operating time / 90°	30 s (motor operation)   25 s (failsafe operation) ) <sup>3</sup>		PSF-Q 80 Nm
Power Supply [V]	100-240 VAC 1~	24 VAC/DC	
Frequency [Hz]	50 - 60	50 - 60 / -	
Nominal Current [A]	0.2 - 0.4	1.55 / 1.1	
Maximum Current [A]	0.2 - 0.4	1.55 / 1.1	
Power Consumption ) <sup>2</sup> [W]	28	28 / 27	
Duty Cycle IEC 60034-1,8	S2 30 min / S4 50% dc - 1200c/h		

Standard	Description	Standard Equipment
Ambient Temperature [°C]	-10 to +60 °C	
Motor Protection	electronic motor current monitoring with safety cut-off	
Overvoltage Category	II	
Set Value and Feedback	0-20 mA, 4-20 mA, 0-10 V, 2-10 V selectable	
Binary Control	24 - 230 VAC & 24 VDC for ON/OFF service	
Valve Positioner Function	integrated, deadband 0.6% of full signal range, shut-off minimum	
Automatic Start-up	Recognizing the end position(s) and autoscaling set and feedback values	
Internal Fault Monitoring	torque, set value, temperature, power supply	
Cable Glands	2 pcs. ISO M20 x 1.5 and 1 pcs. ISO M16 x 1.5	
Fail-Safe Operating Direction	Clockwise (CW) - Spring drives output valve shaft clockwise <b>or</b> Counter Clockwise (CCW) - Spring drives output valve shaft counterclockwise	

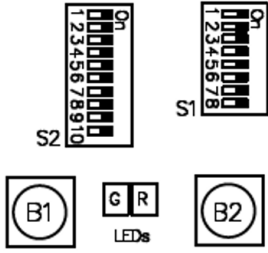
)<sup>1</sup> = permissible average torque for a travel of 90° is 50% of the max. thrust

)<sup>2</sup> = at max. torquet

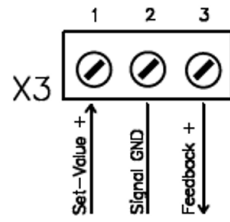
)<sup>3</sup> = operating speed +/- 10%



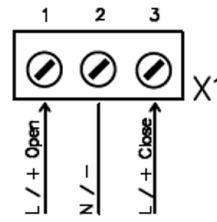
Electrical Connection Plan



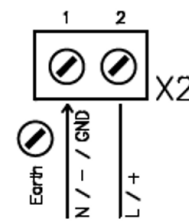
DIP Switches / Local Control Buttons



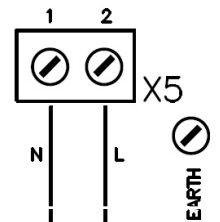
Analog Input / Output  
Galvanic isolated



Binary input signals  
Galvanic isolated  
24 - 230VAC & 24 VDC

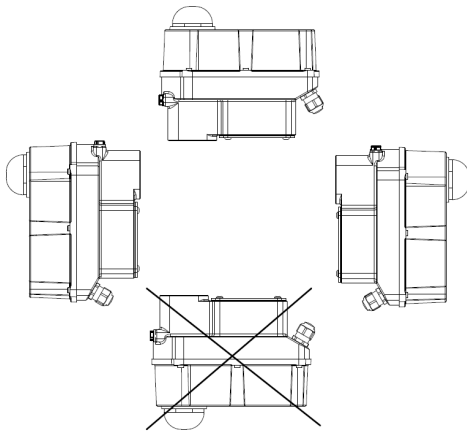


24VAC / DC Supply Power



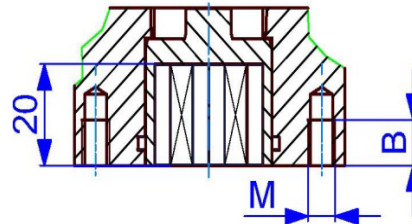
100-240 VAC Supply Power  
Wide Range Power Supply  
converter

Mounting Position

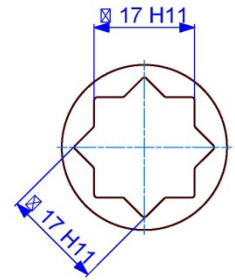


ISO Flange Dimensions

	F05	F07
M	M6	M8
B	9	12



Double Square Drive



Please check the drive bushes datasheet for the available sizes!  
Other customized drive bushes on request!

<b>Accessories/ Options</b>	Position Signal Relays	2 position signal relays with changeover contacts, calibrated automatically to angular travel 24 V to 230 V AC/DC @ 0.1 A – 1 A Switching point adjustable 0-100 % of the stroke using potentiometers
	Heating Resistor	HR Heating resistor to prevent condensation
	Wide Range Power Supply	100 - 240 VAC 1~
	Increased Enclosure	IP Increase of enclosure to IP67

For more information and accessories, please visit our website [www.ps-automation.com](http://www.ps-automation.com)!

Subject to changes!