

Linear Actuator with Fail-Safe Function

PSF-M

Manual Override

1 - 2 kN

Minimum Force ¹⁾

0.6 / 0.9 / 1.2 mm/s
0.5 / 0.75 / 1.0 mm/s
Operating Speed

5 - max. 40 mm

Stroke

**Positioner
integrated**

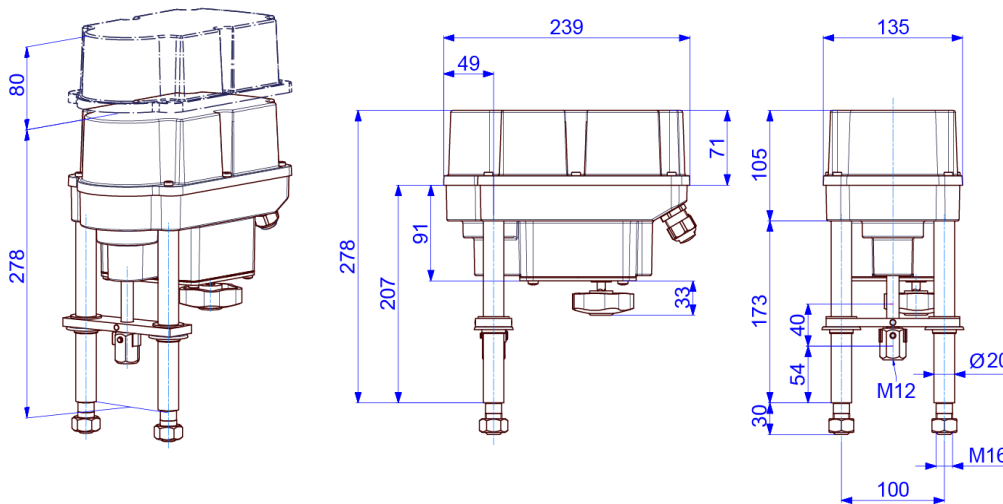
Modulating Actuator

Class C

acc. EN ISO 22153

Enclosure IP65

EN 60529



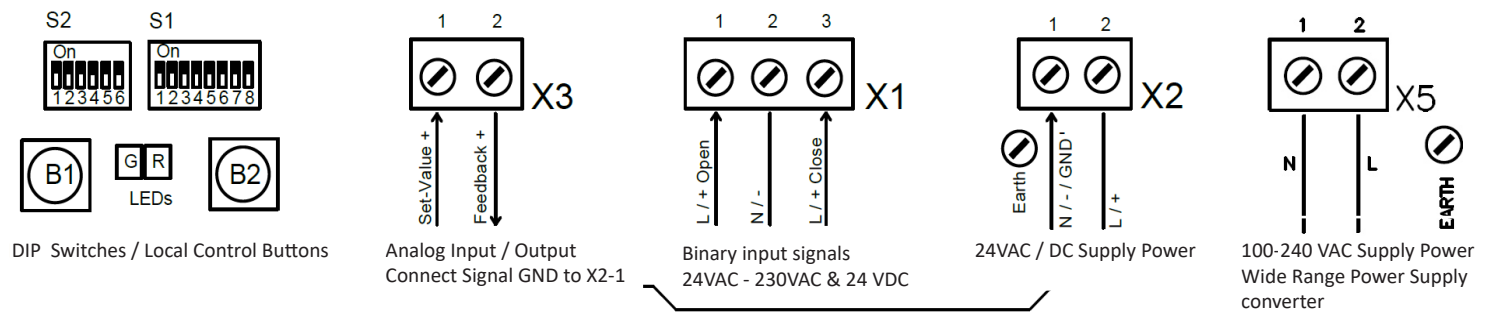
Approx. weight: 5.1 kg without accessories

Operating speed		0.6 / 0.9 / 1.2 mm/s (adjustable)		PSF-M401 1 kN
Power Supply	[V]	100-240 VAC 1~	24 VAC/DC	
Frequency	[Hz]	50 - 60	50 - 60 / -	
Nominal Current	[A]	0.07 - 0.14	0.7 / 0.35	
Maximum Current	[A]	0.07 - 0.14	0.7 / 0.35	
Power Consumption ²⁾	[W]	9	9 / 8	
Duty Cycle	IEC 60034-1,8	S2 30 min / S4 50% ED - 1200c/h		
Operating speed		0.5 / 0.75 / 1.0 mm/s (adjustable)		PSF-M402 2 kN
Power Supply	[V]	100-240 VAC 1~	24 VAC/DC	
Frequency	[Hz]	50 - 60	50 - 60 / -	
Nominal Current	[A]	0.1 - 0.2	0.9 / 0.45	
Maximum Current	[A]	0.1 - 0.2	0.9 / 0.45	
Power Consumption ²⁾	[W]	12	12 / 10	
Duty Cycle	IEC 60034-1,8	S2 30 min / S4 50% ED - 1200c/h		
Standard		Description		Standard Equipment
Ambient Temperature	[°C]	-10 to +60 °C		
Motor Protection		electronic motor current monitoring with safety cut-off		
Overvoltage Category		II		
Set Value and Feedback		0-20 mA, 4-20 mA, 0-10 V, 2-10 V selectable		
Binary Control		24 - 230 VAC & 24 VDC for ON/OFF service		
Valve Positioner Function		integrated, deadband 0.6% of full signal range, shut-off minimum		
Automatic Start-up		Recognizing the end position(s) and autoscaling set and feedback values		
Internal Fault Monitoring		torque, set value, temperature, power supply		
Cable Glands		2 pcs. ISO M20 x 1.5 and 1 pcs. ISO M16 x 1.5		

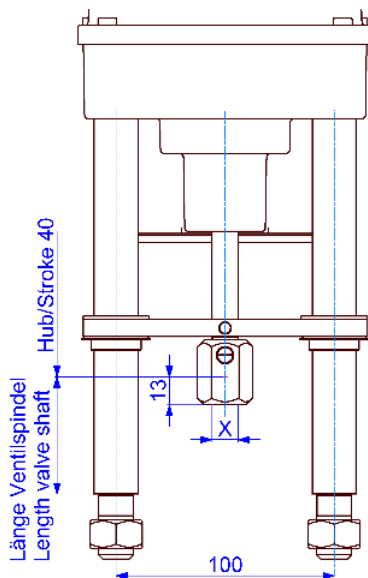
¹⁾ = permissible average force over the entire travel is 50% of the max. thrust

²⁾ = at max. force

Electrical Connection Plan



Valve Connection

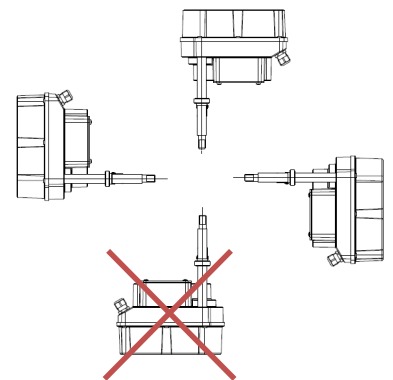


Connection Thread X

M8	Optional
M10	Optional
M12	Standard

Fine threads and other sizes on request!

Mounting Position



Accessories/ Options	Add'l Position Switches, mechanical	2WE	2 potential-free position switches, mechanical, with silver changeover contacts (0.1 A - 5 A switching current)
	Add'l Position Switches Gold	2WE Gold	2 potential-free position switches, mechanical, with gold changeover contacts (0.1 mA - 100 mA switching current)
	Position Signal Relays		2 position signal relays with changeover contacts, calibrated automatically to valve stroke 24 V to 230 V AC/DC @ 0.1 A – 1 A Switching point adjustable 0-100 % of the stroke using potentiometers
	Heating Resistor	HR	Heating resistor to prevent condensation
	Wide Range Power Supply		100 - 240 VAC 1~
	Increased Enclosure	IP	Increase of enclosure to IP67

For more information and accessories, please visit our website www.ps-automation.com!