

Explosion-Proof Linear Actuator with mechanical failsafe function

PSF-EX

Spring Return Function

2 kN
Minimum Force)¹

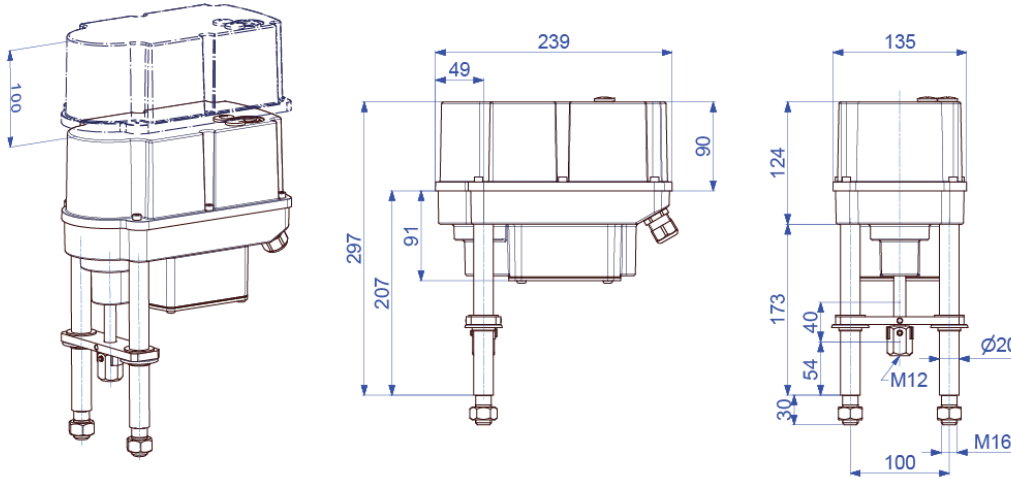
2 mm/s
Operating speed

5 - max. 40 mm
Stroke

Positioner integrated

Actuator
Class C
acc. EN ISO 22153

Enclosure IP65
EN 60529



Approx. weight: 7.2 kg without accessories

| Operating Speed | 2 mm/s (motor operation or failsafe operation)) ³ | |
|--------------------------------------|---|-----------|
| Device category | II 2G II 2D | |
| EU Type Examination Certificate | TPS 22 ATEX 110398 0002 X | |
| ATEX directive gases | Ex db eb IIC T6/T4 Gb Ex h db eb IIC T6/T4 Gb | |
| ATEX directive dusts | Ex tb IIIC T80°C/T100°C Db Ex h tb IIIC T80°C/T100°C Db | |
| IECEX CoC | IECEX TPS 22.0019X | |
| IECEX directive gases | Ex db eb IIC T6/T4 Gb | |
| IECEX directive dusts | Ex tb IIIC T80°C/T100°C Db | |
| Power Supply [V] | 100-240 VAC 1~ | 24 VAC/DC |
| Frequency [Hz] | 50 - 60 | 50 - 60 |
| Nominal Current [A] | 0.2 - 0.4 | 1.8 / 1.1 |
| Maximum Current [A] | 0.2 - 0.4 | 1.8 / 1.1 |
| Power Consumption) ² [W] | 28 | 28 / 27 |
| Duty Cycle IEC 60034-1,8 | S2 30 min / S4 50% ED - 1200c/h | |

PSF-402.2-EX
2 kN

| Standard | Description |
|-------------------------------|--|
| Ambient Temperature [°F] | -10°C ≤ Ta ≤ +40°C (T6) / +60°C (T4) |
| Motor Protection | electronic motor current monitoring with safety cut-off |
| Overvoltage Category | II |
| Set Value and Feedback | 0-20 mA, 4-20 mA, 0-10 V, 2-10 V selectable |
| Binary Control | 24 - 230 VAC & 24 VDC for ON/OFF service |
| Valve Positioner Function | integrated, deadband 0.6% of full signal range, shut-off minimum |
| Automatic Start-up | Recognizing the end position(s) and autoscaling set and feedback values |
| Internal Fault Monitoring | force, set value, temperature, power supply |
| Cable Glands | 2 pcs. ISO M20 x 1.5 and 1 pcs. ISO M16 x 1.5 |
| Fail-Safe Operating Direction | Spring Extend (SE) - Spring extends actuator stem or Spring Retract (SR) - Spring retracts actuator stem |

Standard Equipment

¹ = permissible average force over the entire travel is 50% of the max. thrust

² = at max. force

³ = operating speed +/- 10%

Electrical Connection Plan

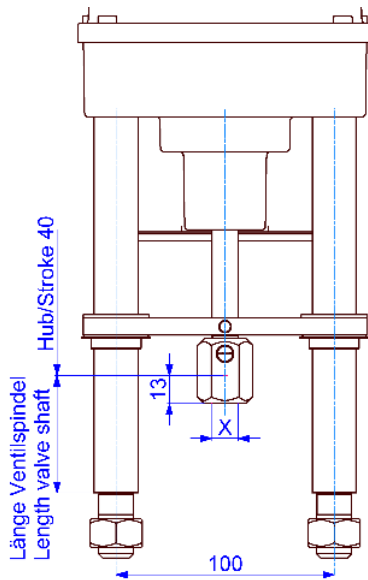
24V AC/ DC

| | | | | | | | |
|-----|-----------|----------|----------|-----|-----------|-----------------------|----|
| GND | Set Value | Feedback | L/+ OPEN | Com | L/+ CLOSE | 24VAC/DC Power Supply | |
| 8 | 7 | 6 | 5 | 4 | 3 | V- | V+ |
| | | | | | | 2 | 1 |

100-240V AC

| | | | | | | | |
|-----|-----------|----------|----------|-----|-----------|-------------------------|----|
| GND | Set Value | Feedback | L/+ OPEN | Com | L/+ CLOSE | 100-240VAC Power Supply | |
| 8 | 7 | 6 | 5 | 4 | 3 | V- | V+ |
| | | | | | | 2 | 1 |

Valve Connection

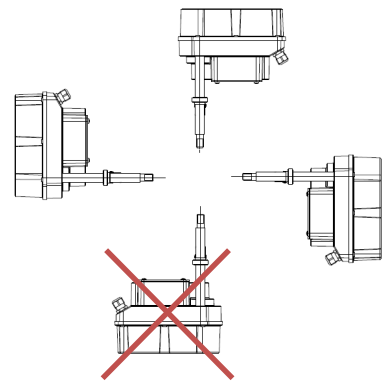


Connection Thread X

| | |
|-----|----------|
| M8 | Optional |
| M10 | Optional |
| M12 | Standard |

Fine threads and other sizes on request!

Mounting Position



Accessories / Options

| | | |
|------------------|----|---|
| Higher Enclosure | IP | Higher Enclosure to IP 67 |
| Diagnose-Kit | | Diagnosis-Kit PSF including Software and USB Data Cable |

For more information and accessories, please visit our website www.ps-automation.com!