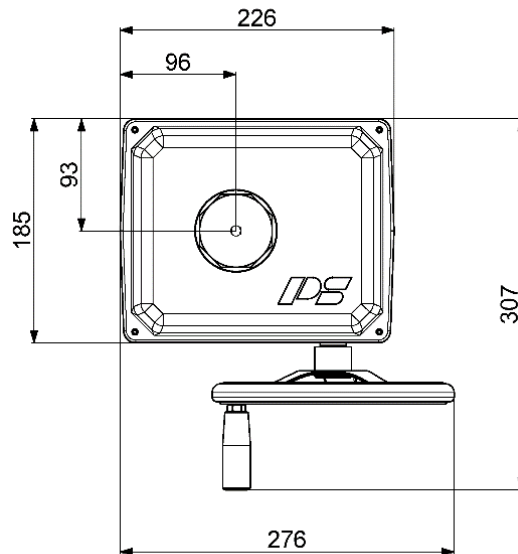
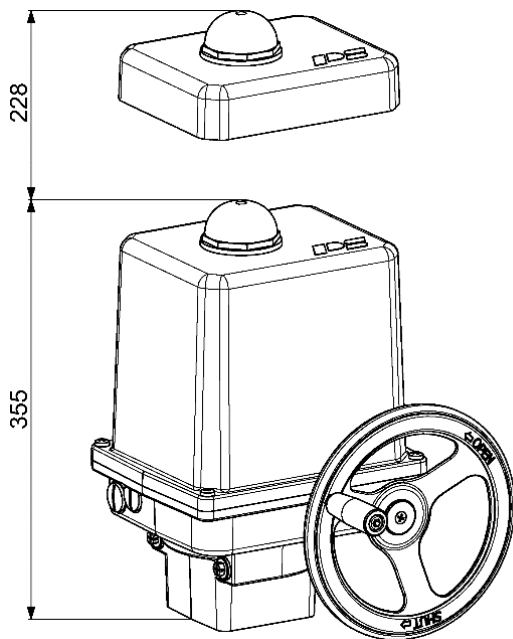


Intelligent Quarter-Turn Actuator

**PSQ203
AMS1x**



Approx. weight: 13 kg without accessories

**Positioner
integrated**

125 - 250 Nm
Switching torque)¹

16 s - 120 s
Op. Time/90°

**Flange
F07 + F10**

Modulating Actuator

Class C

acc. EN ISO 22153

Enclosure IP67
EN 60529

Operating Time/90°	60 - 120 s (adjustable)				PSQ203 AMS11
Power Supply [V]	230 VAC 1~	115 VAC 1~	24 VAC/DC	360...575 VAC 3~) ²	
Normal Current) ⁴ [A]	0.24	0.48	2.3(AC) / 1.4(DC)	0.17) ³	
Maximum Current) ⁴ [A]	0.31	0.62	3.0(AC) / 1.9(DC)	0.2) ³	
Power Consumption) ⁵ [W]	41	41	38(AC) / 34(DC)	45) ³	

Operating Time/90°	16 - 32 s (adjustable)				PSQ203 AMS12
Power Supply [V]	230 VAC 1~	115 VAC 1~	24 VAC/DC	360...575 VAC 3~) ²	
Normal Current) ⁴ [A]	0.59	1.2	5.6(AC) / 3.5(DC)	0.42) ³	
Maximum Current) ⁴ [A]	0.76	1.5	7.3(AC) / 4.6(DC)	0.5) ³	
Power Consumption) ⁵ [W]	115	115	108(AC) / 84(DC)	110) ³	

Standard	Description	Standard Equipment
Ambient Temperature [°C]	-20 to +60 °C	
Motor Protection	electronic motor current monitoring with safety cut-off	
Overvoltage category	II	
Break away force	adjustable up to +50% nominal force	
Duty Cycle IEC 60034-1,8	S2 30 min S4 50% ED @ 25°C	
Set value and Feedback	current 0 (4)... 20 mA, voltage 0 (2)... 10 V adjustable, split-range operation possible	
Binary control	24 V - 230 V for ON/OFF control (min. duration of pulse 1s)	
Valve Positioner Function	deadband adjustable from 0.5 .. 5%, shut-off minimum at torque switching	
Automatic Start-up	Recognizing the end position(s) and autoscaling set and feedback values	
Internal Fault Monitoring	Torque, set value, temperature, power supply, deviation of end positions, adjustable actions and signalisation	
Fault Indication Relay FIR	potential-free opening contact provides a freely definable collective fault signal	
Diagnostics Function	Stores number of motor starts, motor and total running time. Rolling data storage of set value, feedback value, torque, temperature and status	
Communication Interface	for parametrisation and diagnosis with USB data cable and software PSCS	
Cable Glands	2 threaded holes ISO M20 x 1,5 (cable glands are not included)	

¹ = Permissible average thrust over the entire travel is 50% of the max. thrust

³ = at 400 V 3 phases and 50 Hz

⁵ = at switching torque, data can change depending on accessories

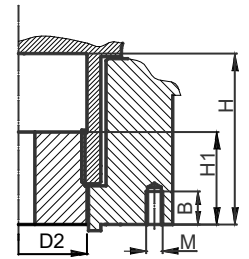
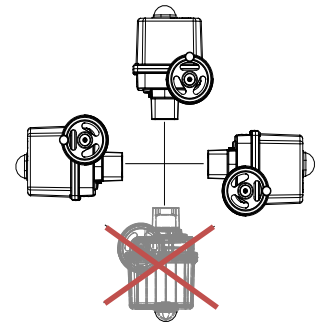
² = at nominal force

⁴ = Data can change depending on accessories

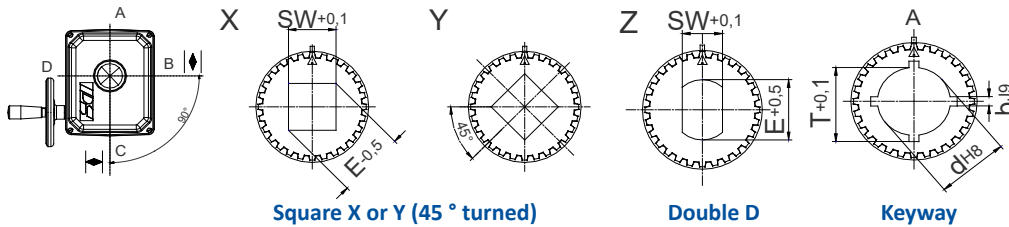
Electrical Connection Plan

Mounting Position

1-Phasen Wechselspannung / DC 1-Phase AC / DC																	3-Phasen 3-Phase AC																			
1	2	3	4	5	6	7	8	9	10	11	12	13	14	15	16	17	X6						22	23	L1	L2	L3	PE								
↔	↔	↔	↔	↔	↔	↔	↔	↔	↔	↔	↔	↔	↔	↔	↔	↔	↔	↔	↔	↔	↔	↔	↔	↔	↔	↔	↔	↔								
+0(2) - 10 V	+0(2) - 20 mA	GND	+0(2) - 10 V	+0(2) - 20 mA	GND	24 VDC	max. Last / max. Load 100 mA bei / at 24 VDC	L+ AU/F/ OPEN	N/-	L+ ZU/ CLOSE	L+ (24V AC/DC - 230VAC)	N- (24V AC/DC - 230VAC)	21 - 40 VDC / 100 mA	+0(2) - 10 V	+0(2) - 20 mA	GND	(Option)	(Option)	(Option)	(Option)	(Option)	(Option)	(Option)	(Option)	(Option)	(Option)	(Option)	(Option)	400VAC	400VAC	400VAC	Schutzleiter / protective conductor				
Sollwert-Eingang	Aktive Positions-rückmeldung	Störmeldung potentialfrei	Binäre Ansteuerung	Netz-ausfall-signal	Ver-sorgung	Istwert											Zu / Closed	Auf / Open														Versorgungs-spannung	Feldbus-Anschluß	PC Kommu-nikation	Inbetrieb-nahme	
Set value input	Active position feedback	Monitor relay potential-free	Binary input signals	Fail safe signal	Supply	Actual value											Wegschalter potentialfreier Kontakt	Position switch potential-free contact															Power supply voltage	Fieldbus interface	PC commu-nication	Commis-sioning
Galvanisch getrennt / Galvanically isolated 1 kV																	Process-Sensor						S-256-292_B													



Available Drive Bushes



	F07	F10
D2	47	47
H	60	60
H1	35	35
M	M8	M10
B	16	20

Please check the drive bushes datasheet for the available sizes!
Other customized drive bushes on request!

Accessories/Options	Code	Description
Add'l Position Switches	2WE	Potential-free additional position switches with silver contacts (0.1 A - 10 A switching current)
Add'l Position Switches Gold	2WE Gold	Potential-free additional position switches with gold contacts (0.1 mA - 100 mA switching current)
Integrated process	PSIC	Enables the autonomous control of a process so that an external controller is not required
Fail-Safe*	PSCP	Emergency power supply based on supercapacitors, safety position OPEN, CLOSED or free defined position
Fieldbus Interface*		Digital transmission of nominal and actual value per mill or percent, report of monitoring and diagnostic data using Profibus DP (PSPDP) or CANOpen (PSCA) interfaces, additional interfaces available on request
Local Control*	PSC.2	Illuminated display to show the actuator status and lockable selector to switch between modes: automatic, manual process ON/OFF, STOP and parameter menu. Control buttons for manual movement, menu operation and adjustment of parameters, display of diagnostic information
Remote Local Control		mounting separately from the actuator (incl. 10 m connection cable)
Data Cable	PSCS-USB	USB data cable enables the communication between the actuator and a PC by using the software PSCS
Fail-Safe Port*	FSP	Signal port to drive to a „safety position“, selectable fail-safe position, standard 24 - 230 V
Corrosion Protection	K2	Increased corrosion protection incl. heating resistor
IP68		Increased enclosure IP68) ⁶
Heating Resistor	HR	Heating resistor to prevent condensation
Terminal Box*		Plug and socket in an IP68 box

*not retrofittable ⁶ = IP68, no ingress of dust and suitable for continuous immersion in water up to 6 m and 96 h

For more information and accessories, please visit our website www.ps-automation.com!

Subject to changes!