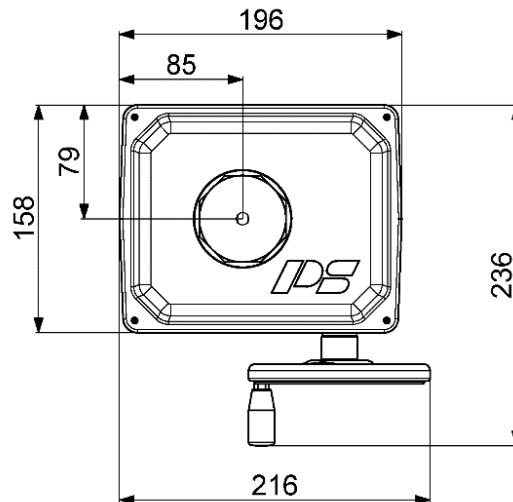
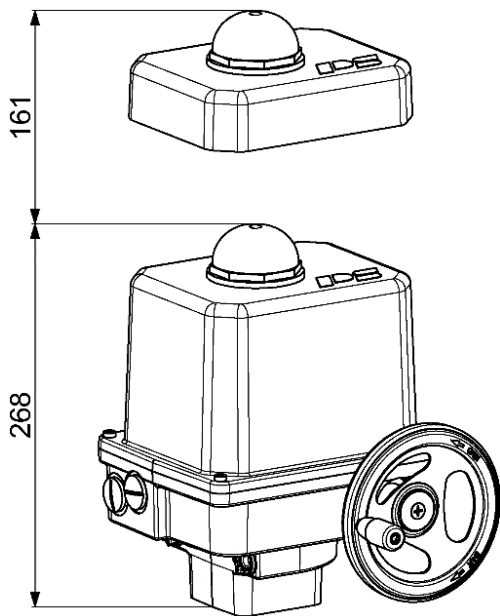


Intelligent Quarter-Turn Actuator

**PSQ103
AMS1x**



**Positioner
integrated**

65 - 130 Nm
Switching torque)¹

9 s - 72 s
Op. Time/90°

**Flange
F05 + F07**

Modulating Actuator
Class C
acc. EN ISO 22153

Enclosure IP67
EN 60529

Approx. weight: 7 kg without accessories

Operating Time/90°		36 - 72 s (adjustable)				PSQ103 AMS11
Power Supply	[V]	230 VAC 1~	115 VAC 1~	24 VAC/DC	360...575 VAC 3~) ²	
Normal Current) ⁴	[A]	0.24	0.48	2.3(AC) / 1.4(DC)	0.2) ³	
Maximum Current) ⁴	[A]	0.31	0.62	3.0(AC) / 1.9(DC)	0.2) ³	
Power Consumption) ⁵	[W]	41	41	38(AC) / 34(DC)	50) ³	
Operating Time/90°		9 - 18 s (adjustable)				PSQ103 AMS12
Power Supply	[V]	230 VAC 1~	115 VAC 1~	24 VAC/DC	360...575 VAC 3~) ²	
Normal Current) ⁴	[A]	0.5	1	4.8(AC) / 3.0(DC)	0.36) ³	
Maximum Current) ⁴	[A]	0.65	1.3	6.2(AC) / 3.9(DC)	0.5) ³	
Power Consumption) ⁵	[W]	100	98	95(AC) / 72(DC)	95) ³	
Standard	Description					Standard Equipment
Ambient Temperature	[°C]	-20 to +60 °C				
Motor Protection	electronic motor current monitoring with safety cut-off					
Overvoltage category	II					
Break away force	adjustable up to +50% nominal force					
Duty Cycle	IEC 60034-1,8	S2 30 min S4 50% ED @ 25°C				
Set value and Feedback	current 0 (4)... 20 mA, voltage 0 (2)... 10 V adjustable, split-range operation possible					
Binary control	24 V - 230 V for ON/OFF control (min. duration of pulse 1s)					
Valve Positioner Function	deadband adjustable from 0.5 .. 5%, shut-off minimum at torque switching					
Automatic Start-up	Recognizing the end position(s) and autoscaling set and feedback values					
Internal Fault Monitoring	Torque, set value, temperature, power supply, deviation of end positions, adjustable actions and signalisation					
Fault Indication Relay	FIR	potential-free opening contact provides a freely definable collective fault signal				
Diagnostics Function	Stores number of motor starts, motor and total running time. Rolling data storage of set value, feedback value, torque, temperature and status					
Communication Interface	for parametrisation and diagnosis with USB data cable and software PSCS					
Cable Glands	2 threaded holes ISO M20 x 1,5 (cable glands are not included)					

¹ = Permissible average thrust over the entire travel is 50% of the max. thrust

² = at nominal force

³ = at 400 V 3 phases and 50 Hz

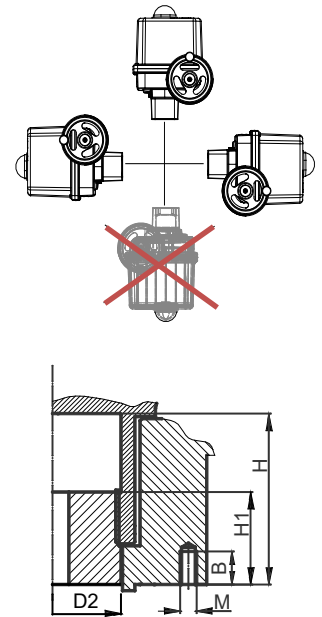
⁴ = Data can change depending on accessories

⁵ = at switching torque, data can change depending on accessories

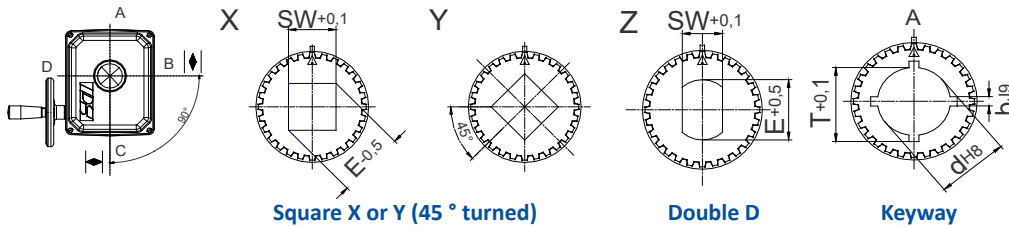
Electrical Connection Plan

Mounting Position

1-Phasen Wechselspannung / DC 1-Phase AC / DC																	3-Phasen 3-Phase AC															
1	2	3	4	5	6	7	8	9	10	11	12	13	14	15	16	17	X6						22	23	RJ-45 TTL				Taster Button			
↔	↔	↔	↔	↔	↔	↔	↔	↔	↔	↔	↔	↔	↔	↔	↔	↔	1	2	3	4	5	6	↔	↔	↔	↔	L1	L2	L3	PE		
+0(2) - 10 V	+0(2) - 20 mA	GND	+0(2) - 10 V	+0(2) - 20 mA	GND	24 VDC	max. Last / max. Load 100 mA bei / at 24 VDC	L+ AU/F/ OPEN	N/-	L+ ZU/ CLOSE	L+ (24V AC/DC - 230VAC)	N- (24V AC/DC - 230VAC)	21 - 40 VDC / 100 mA	+0(2) - 10 V	+0(2) - 20 mA	GND	(Option)	(Option)	(Option)	(Option)	(Option)	(Option)	(Option)	L+ (siehe Typenschild/ see tag plate)	N/- (siehe Typenschild/ see tag plate)	PE	(Option)	400VAC	400VAC	400VAC	Schutzleiter / protective conductor	
Sollwert-Eingang	Aktive Positions-rückmeldung	Störmeldung potentialfrei	Binäre Ansteuerung	Netz-ausfall-signal	Ver-sorgung	Istwert											Zu / Closed	Auf / Open						Versorgungs-spannung	Feldbus-Anschluß	PC Kommu-nikation	Inbetrieb-nahme	Versorgungs-spannung	Power supply voltage	Schalnetzteil		
Galvanisch getrennt / Galvanically isolated 1 kV																	Wegschalter potentialfreier Kontakt	Position switch potential-free contact														



Available Drive Bushes



	F05	F07
D2	38	38
H	44	44
H1	35	35
M	M6	M8
B	12	16

Please check the drive bushes datasheet for the available sizes!
Other customized drive bushes on request!

Accessories/Options	Add'l Position Switches	2WE	Potential-free additional position switches with silver contacts (0.1 A - 10 A switching current)
	Add'l Position Switches Gold	2WE Gold	Potential-free additional position switches with gold contacts (0.1 mA - 100 mA switching current)
	Integrated process	PSIC	Enables the autonomous control of a process so that an external controller is not required
	Fail-Safe*	PSCP	Emergency power supply based on supercapacitors, safety position OPEN, CLOSED or free defined position
	Fieldbus Interface*		Digital transmission of nominal and actual value per mill or percent, report of monitoring and diagnostic data using Profibus DP (PSPDP) or CANOpen (PSCA) interfaces, additional interfaces available on request
	Local Control*	PSC.2	Illuminated display to show the actuator status and lockable selector to switch between modes: automatic, manual process ON/OFF, STOP and parameter menu. Control buttons for manual movement, menu operation and adjustment of parameters, display of diagnostic information
	Remote Local Control		mounting separately from the actuator (incl. 10 m connection cable)
	Data Cable	PSCS-USB	USB data cable enables the communication between the actuator and a PC by using the software PSCS
	Fail-Safe Port*	FSP	Signal port to drive to a „safety position“, selectable fail-safe position, standard 24 - 230 V
	Corrosion Protection	K2	Increased corrosion protection incl. heating resistor
IP68		Increased enclosure IP68) ⁶	
Heating Resistor	HR	Heating resistor to prevent condensation	
Terminal Box*		Plug and socket in an IP68 box	

*not retrofittable ⁶ = IP68, no ingress of dust and suitable for continuous immersion in water up to 6 m and 96 h

For more information and accessories, please visit our website www.ps-automation.com!

Subject to changes!