

Intelligent Quarter-Turn Actuator

**PSQ703
AMS13**

**Positioner
integrated**

350 - 700 Nm
Switching torque)¹

70 s - 140 s
Op. Time/90°

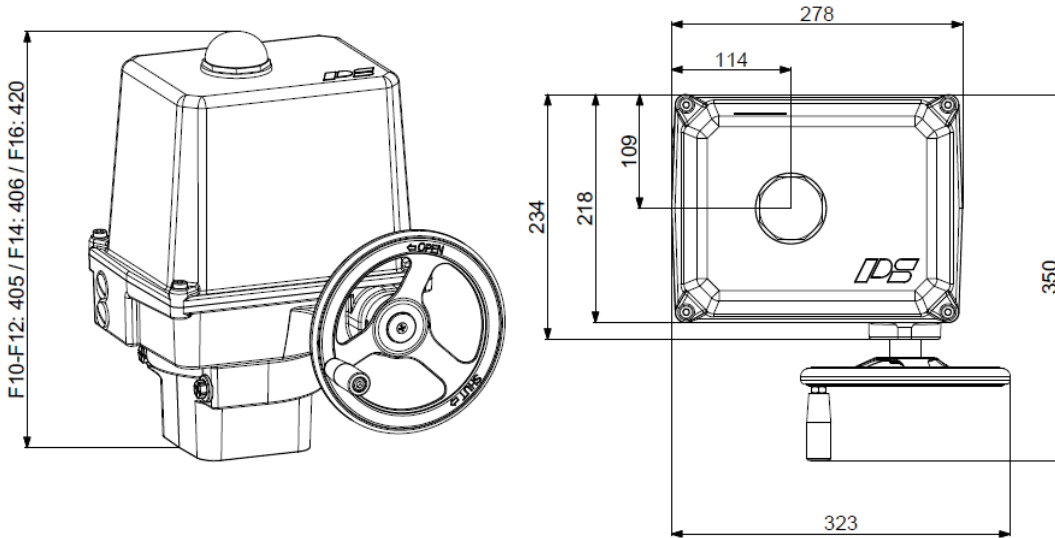
**Flange
F10/F12/F14/F16**

Modulating Actuator

Class C

acc. EN ISO 22153

Enclosure IP67
EN 60529



Approx. weight: 27 kg without accessories

Operating Time/90°		70 - 140 s (adjustable)				PSQ703 AMS13
Power Supply	[V]	230 VAC 1~	115 VAC 1~	24 VAC/DC	360...575 VAC 3~) ²	
Normal Current) ⁴	[A]	0.48	1.0	4.6(AC) / 2.9(DC)	0.35) ³	
Maximum Current) ⁴	[A]	0.62	1.2	5.9(AC) / 3.7(DC)	0.45) ³	
Power Consumption) ⁵	[W]	93	93	88(AC) / 69(DC)	91) ³	

Standard	Description	Standard Equipment
Ambient Temperature	[°C] -20 to +60 °C	
Motor Protection	electronic motor current monitoring with safety cut-off	
Overvoltage category	II	
Break away force	adjustable up to +50% nominal force	
Duty Cycle	IEC 60034-1,8 S2 30 min S4 50% ED @ 25°C	
Set value and Feedback	current 0 (4)... 20 mA, voltage 0 (2)... 10 V adjustable, split-range operation possible	
Binary control	24 V - 230 V for ON/OFF control (min. duration of pulse 1s)	
Valve Positioner Function	deadband adjustable from 0.5 .. 5%, shut-off minimum at torque switching	
Automatic Start-up	Recognizing the end position(s) and autoscaling set and feedback values	
Internal Fault Monitoring	Torque, set value, temperature, power supply, deviation of end positions, adjustable actions and signalisation	
Fault Indication Relay	FIR potential-free opening contact provides a freely definable collective fault signal	
Diagnostics Function	Stores number of motor starts, motor and total running time. Rolling data storage of set value, feedback value, torque, temperature and status	
Communication Interface	for parametrisation and diagnosis with USB data cable and software PSCS	
Cable Glands	2 threaded holes ISO M20 x 1,5 (cable glands are not included)	

)¹ = Permissible average thrust over the entire travel is 50% of the max. thrust

)² = at nominal force

)³ = at 400 V 3 phases and 50 Hz

)⁴ = Data can change depending on accessories

)⁵ = at switching torque, data can change depending on accessories

