

PSQ-E

The efficient quarter-turn actuator

100 Nm - 150 Nm based on the proven PSQ102

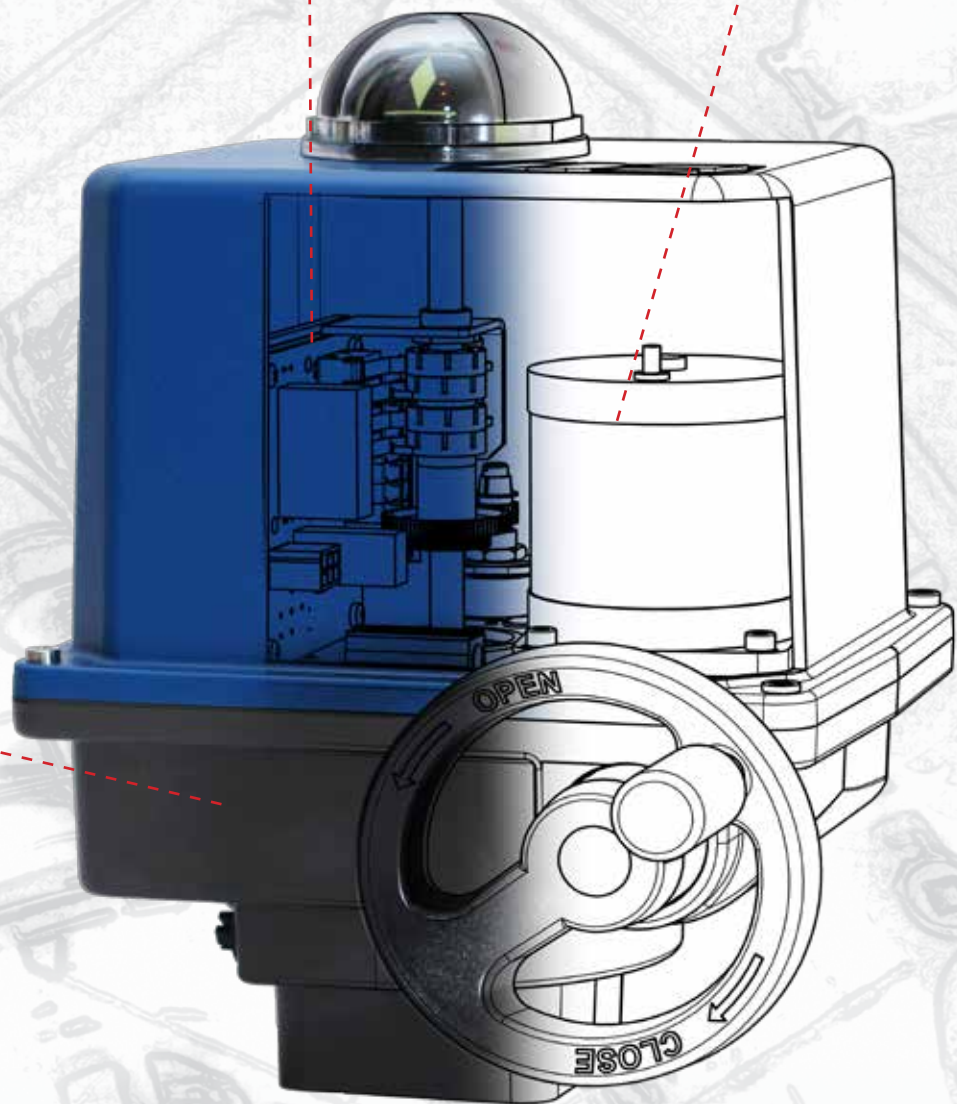
Pre-adjusted switching cams
2 x position and 2 x signal switches



Spring-loaded terminals

Metal main frame

Synchronous motor
Motor blockable, integrated thermo switch.



Robust „Wolfrom“-planetary gear
Reduced power consumption due to highly efficient gear.

IP67 Polycarbonate cover
with easily visible position indicator.



Drive bush integrated
Double square drive, size 22 mm in the output wheel (Reduction pieces available for Square / Double D).



Comfortable manual override
without locking mechanism. The handwheel does not rotate during motor operation.

Technical Data

PSQ-E100

Maximum torque	Nm	100				
Power supply	V	230 VAC 1~	115 VAC 1~	24 VAC 1~	400 VAC 3~	24 VDC
Operating time/90° [50 Hz / 60 Hz]	s	23 / 19				
Nominal current	A	0.12	0.23	1.1	0.047 ³⁾	0.8
Maximum current	A	0.14	0.28	1.3	0.07 ³⁾	2.8
Power consumption ²⁾	W	26	26	26	28	19
Duty cycle IEC 60034-1,8		S2 - 30 min, S3/S4 1200 c/h - 50% ED at 25°C				
Ambient temperature	°C	-25°C to +70°C				
Overvoltage category		II				
Motor protection		Thermo switch ¹⁾				Multifuse

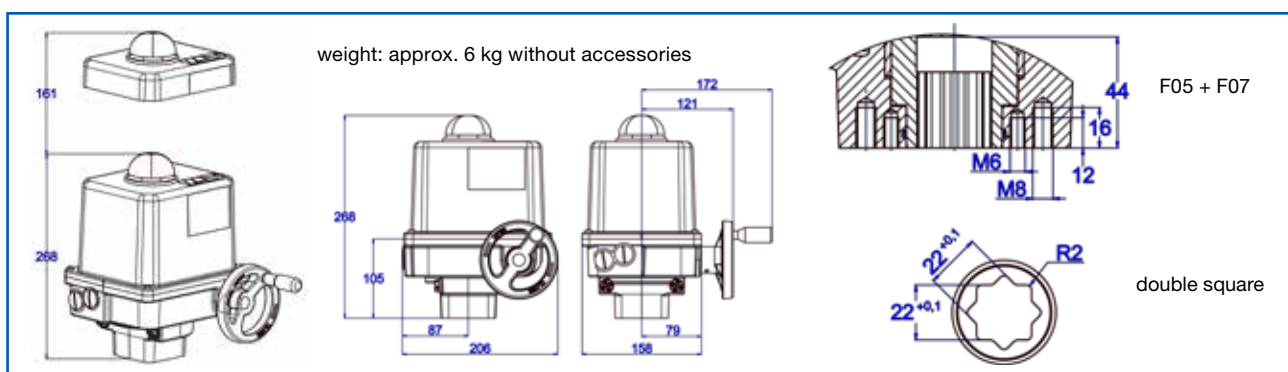
PSQ-E150

Maximum torque	Nm	150				
Power supply	V	230 VAC 1~	115 VAC 1~	24 VAC 1~	400 VAC 3~	24 VDC
Operating time/90° [50 Hz / 60 Hz]	s	23 / 19				
Nominal current	A	0.17	0.3	1.44	0.075 ³⁾	1.3
Maximum current	A	0.20	0.36	1.73	0.13 ³⁾	2.8
Power consumption ²⁾	W	39	34	34	45	31
Duty cycle IEC 60034-1,8		S2 - 30 min, S3/S4 1200 c/h - 50% ED at 25°C				
Ambient temperature	°C	-25°C to +70°C				
Overvoltage category		II				
Motor protection		Thermo switch ¹⁾				Multifuse

¹⁾ Thermo switch must be wired externally at 400VAC 3~

²⁾ at maximum torque and 50 Hz

³⁾ per phase



PS Automation GmbH

Philipp-Krämer-Ring 13 • D-67098 Bad Dürkheim
+49 (0) 6322-94980-0 • info@ps-automation.com
www.ps-automation.com

Engineered and Made in Germany

