

PS-AMS PSQ

The smart quarter-turn actuator up to 3000 Nm

Safe in operation and extremely compact with an outstanding value for money

Improved stability due to metal mainframe for mainboard and accessories



Option: Potential-free additional limit switches / intermediate position switches for additional status signals. Now retrofittable!



Option: Integrated process controller allows independent control of a process, without the need for an external controller

Fast and easy initialization due to **automatic one-key commissioning**

Diagnostic and monitoring function gives information about the status of the operating valve



Robust „Wolfrom“ planetary gear
Manual operation at any time, without clutch or switch

Programmable via **optional local control or via USB interface**
Manual operation and access to parameters and diagnosis on site without PC

- Common interfaces are integrated, fieldbus optional
- Integrated position indicators and valve positioner functionalities
- Valve control curve adjustable
- Split range control possible

Optional: Power failure backup
Integrated emergency supply on basis of super capacitors, freely adjustable failsafe position

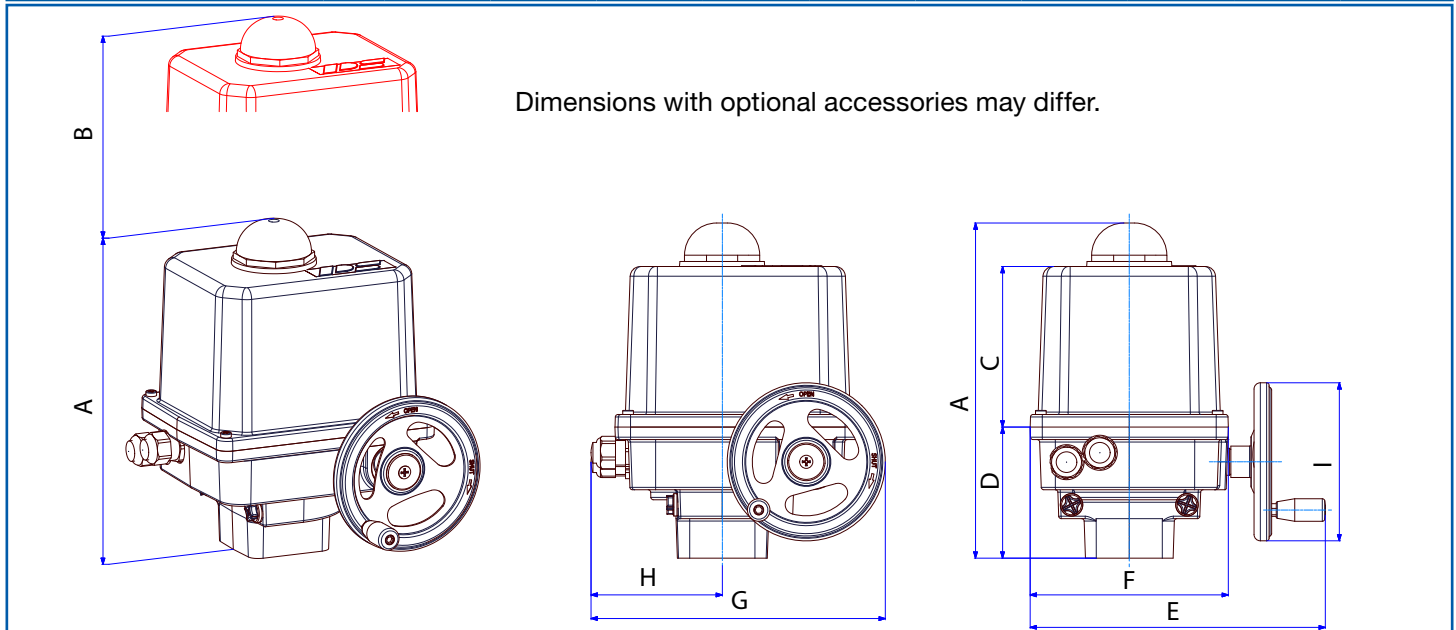
Option: Terminal box IP68 with plug modules for power supply and signals available



PS-AMS PSQ

Technical data

PS-AMS PSQ		PSQ103 AMS11	PSQ103 AMS12	PSQ203 AMS11	PSQ203 AMS12	PSQ503 AMS12	PSQ703 AMS13	PSQ1003 AMS13	PSQ1503 AMS13	PSQ2003 AMS12 PSQ2803 AMS13	PSQ3003 AMS13
Switching torque	Nm	65-130	65-130	125-250	125-250	250-500	350-700	500-1000	750-1500	1000-2800	1500-3000
Angle of rotation	°	90 ± 5									
Handwheel turns	/90°	18									
Valve flange acc. to ISO 5211		F05/F07	F05/F07	F07/F10	F07/F10	F10/F12	F10/F12	F12/F14	F12/F14/ F16	F16	F16
Enclosure acc. to EN 60529		IP67, optional IP68								IP67	
Ambient temperature	°C	-20° to +60° / optional -40° to +60°									
Weight	kg	7	7	13	13	27	27	27	27	54	54
Operating time/90°	s	36-72	9-18	60-120	16-32	36-72	70-140	70-140	110-220	144-560	120-172
Power supply	V	230 VAC 1~, 115 VAC 1~, 360...575 VAC 3~, 24 VAC/DC									
Operating mode IEC 60034-1,8		S2 30 min, S4 50% ED - 1200 c/h									
Motor protection		Thermal monitoring and overload protection									



Einbaumaße	A	B	C	D	E	F	G	H	I
PSQ103AMS	268	161	128	104,5	236	158	244	114	125
PSQ203AMS	355	228	194	122,5	307	185	292	112	200
PSQ503/703AMS	406/409	240	198	171,5	358	234	350	141	200
PSQ1003AMS	406/409	240	198	171,5	287	234	375	141	250
PSQ1503AMS	406/409	240	198	173	275	234	375	141	250
PSQ2003/2803AMS	608	240	198	374,5	506	390	350	140	200
PSQ3003AMS	608	240			431			140	

PS Automation GmbH

Philipp-Krämer-Ring 13 • D-67098 Bad Dürkheim
+49 (0) 6322-94980-0 • info@ps-automation.com
www.ps-automation.com

Engineered and Made in Germany

