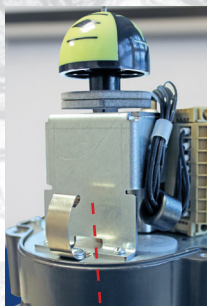


# PSF-Q-EX

**PS**® AUTOMATION  
we care for actuation

Electrical 90° explosion-proof quarter-turn actuator with mechanical fail safe function



Contactless, non-wearing travel detection with **Hall sensor** for exact positioning



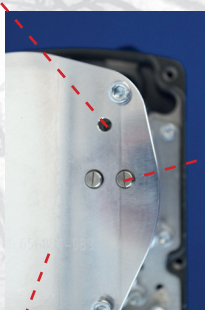
Robust industrial design with **metal cover, enclosure IP67**

**Brushless DC motor (BLDC)** Controller with integrated positioner function

**Explosion-proof terminals**



**Inspection glass to show LED signals** in hazardous environment



**Manual operation of the actuator** is also possible in hazardous environment

**Manual operation with push buttons.** Parameter setting via **DIP switches**

**Pressure-tight casing** for applications in Zone 1, 2, 21, 22

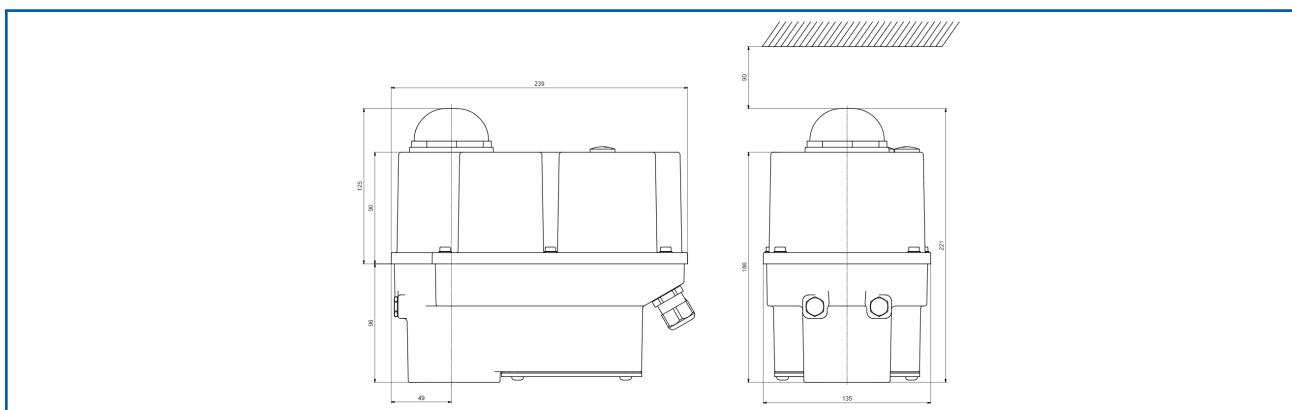


# PSF-Q-EX

## Technical Data

		PSF-Q50-EX	PSF-Q80-EX
Device category		II 2G   II 2DG	
EU Type Examination Certificate		TPS 22 ATEX 110398 0002 X	
ATEX directive gases		Ex h db eb IIC T6/T4 Gb	
ATEX directive dusts		Ex h tb IIIC T80°C/T100°C Db	
Torque	Nm	50	80
Operating Time / 90°		25 s	30 s
Flange (ISO 5211)		F05 / F07	
Power supply	V	24 VAC/DC, 100 - 240 VAC	
Weight approx.	kg	7.2	
Frequency	Hz	50 - 60	
Nominal / Maximum Current	A	0.16 / 1.15	0.2 / 1.55
Power Consumption	W	22 (100-240 VAC) / 22 (24 VAC) / 20 (24 DC)	28 (100-240 VAC) / 28 (24 VAC) / 27 (24 DC)
Duty cycle as per IEC 60034-1,8		S2 30 min / S4 50% ED - 1200c/h	
Permitted ambient temperature		-10 to +60°C	
Motor Protection		Electronic motor current monitoring with safety cut-off	
Overvoltage Category		II	
Binary control		24 - 230 VAC & 24 VDC for ON/OFF service	
Set value and feedback		0-20 mA, 4-20 mA, 0-10 V, 2-10 V selectable	
Valve Positioner Function		Integrated, deadband 0.6% of full signal range, shut-off minimum	
Automatic commissioning		Recognizing the end position(s) and autoscaling set and feedback values	
Internal Fault Monitoring		Torque, set value, temperature, power supply	
Cable Glands		2 pcs. ISO M20 x 1.5 and 1 pcs. ISO M16 x 1.5	
Fail-Safe Operating Direction		Clockwise (CW) - Spring drives output valve shaft clockwise or Counter Clockwise (CCW) - Spring drives output valve shaft counterclockwise	

## Dimensions



### PS Automation GmbH

Philipp-Kraemer-Ring 13 • D-67098 Bad Dürkheim  
+49 (0) 6322-94980-0 • info@ps-automation.com  
www.ps-automation.com

Engineered and Made in Germany

