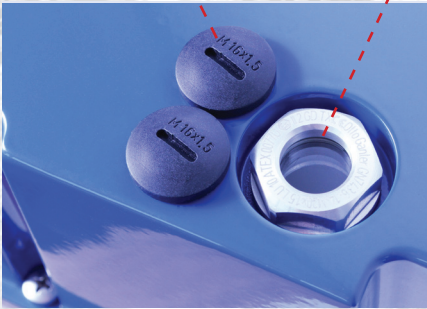


PSF-EX

The explosion-proof linear actuator with fail safe function

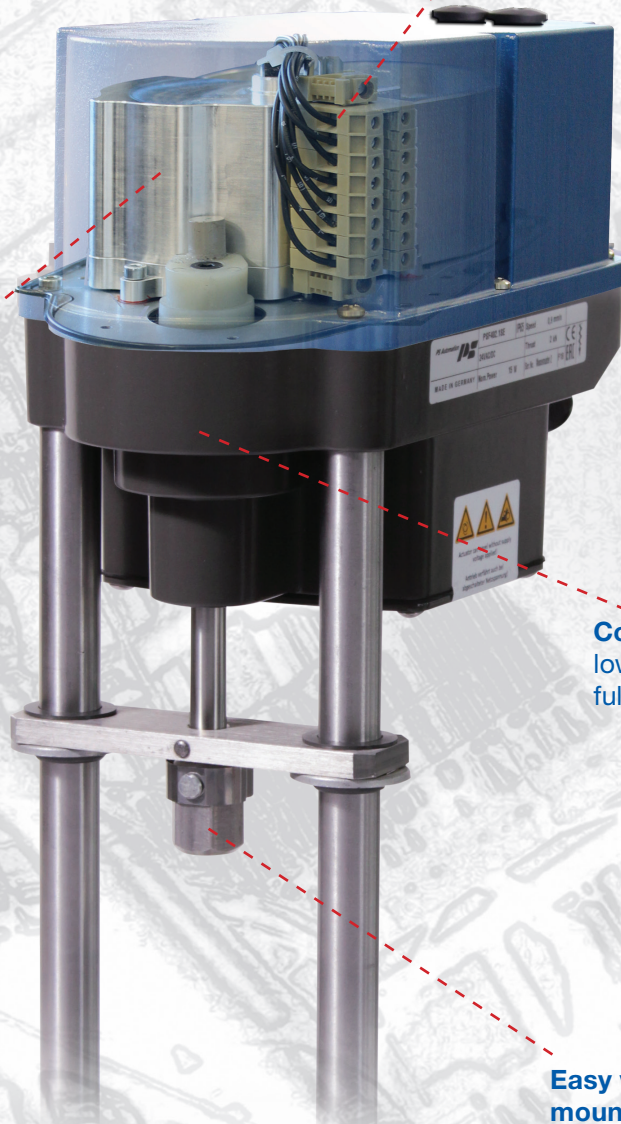
Manual operation of the actuator is also possible in hazardous environment



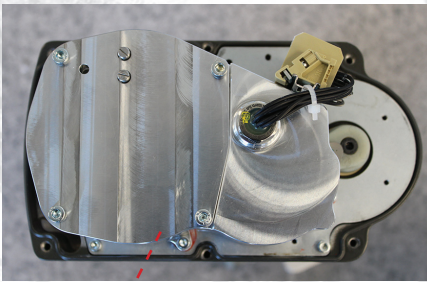
Inspection glass to show LED signals in hazardous environment

Explosion-proof terminals

Brushless DC motor (BLDC)
Controller with integrated positioner function. Status display and automatic commissioning



Contactless, non-wearing travel detection with **Hall sensor** for exact positioning



Pressure-tight casing for applications in Zone 1, 2, 21, 22

Compact design with low installation height, full aluminium housing

Easy valve mounting

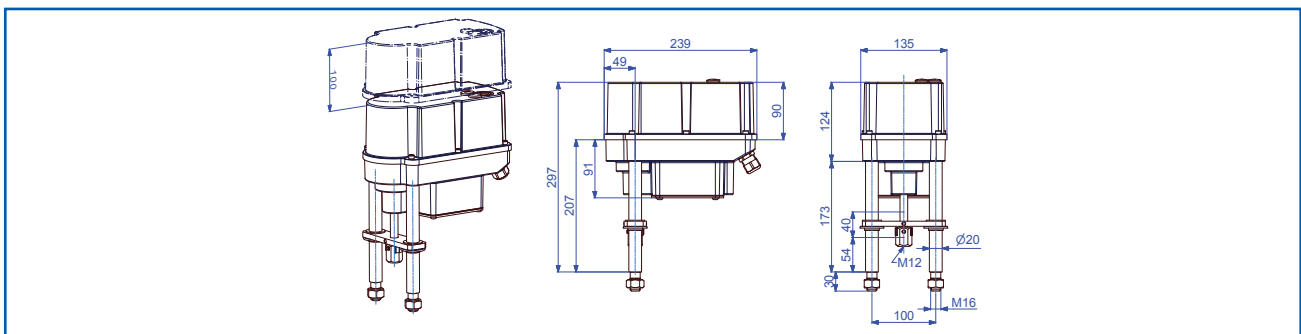


Integrated power spring for **fail safe function** in case of loss of power supply, either extending or retracting actuator stem

Technical Data

		PSF-401-EX	PSF-402-EX
Device category		II 2G II 2D	
EU Type Examination Certificate		TPS 22 ATEX 110398 0002 X	
ATEX directive gases		Ex db eb IIC T6/T4 Gb Ex h db eb IIC T6/T4 Gb	
ATEX directive dusts		Ex tb IIIC T80°C/T100°C Db Ex h tb IIIC T80°C/T100°C Db	
IECEX CoC		IECEX TPS 22.0019X	
IECEX directive gases		Ex db eb IIC T6/T4 Gb	
IECEX directive dusts		Ex tb IIIC T80°C/T100°C Db	
Thrust	kN	1	2
Stroke	mm	max. 40	
Pillar distance	mm	100	
Manual override		electrically via 2 push buttons or handwheel	
Velocity (adjustable)	mm/s	0.3 - 2	
Power Supply		24 VAC/DC, 100 - 240 VAC	
Motor protection		Electronic motor current monitoring with safety cut-off	
Duty cycle as per IEC 60034-1,8		S2 30 min / S4 1200c/h - 50% ED	
Permitted ambient temperature		-10°C ≤ Ta ≤ +40°C (T6) / +60°C (T4)	
Internal fault monitoring		Thrust, set value, temperature, power supply	
Binary control		24 - 230 VAC for ON/OFF service	
Set value and feedback		0-20 mA, 4-20 mA, 0-10 V, 2-10 V selectable	
Mounting Position		Any position, except cover pointing downwards	
Conduit entries		2 pcs. M 20 x 1.5 / 1 pc. M 16 x 1.5	
Enclosure acc. to EN 60529		IP65 (IP67 optional)	
Cover material		High quality aluminium die casting, powder-coated	
Gear case material		High quality aluminium die casting, powder-coated	
Pillar material		Steel 1.4104	

Dimensions



PS Automation GmbH

Philipp-Krämer-Ring 13 • D-67098 Bad Dürkheim
+49 6322 94980-0 • info@ps-automation.com
www.ps-automation.com

Engineered and Made in Germany



ISO 9001
73 00 9001
ISO 14001
73 04 9001
www.proficert.de