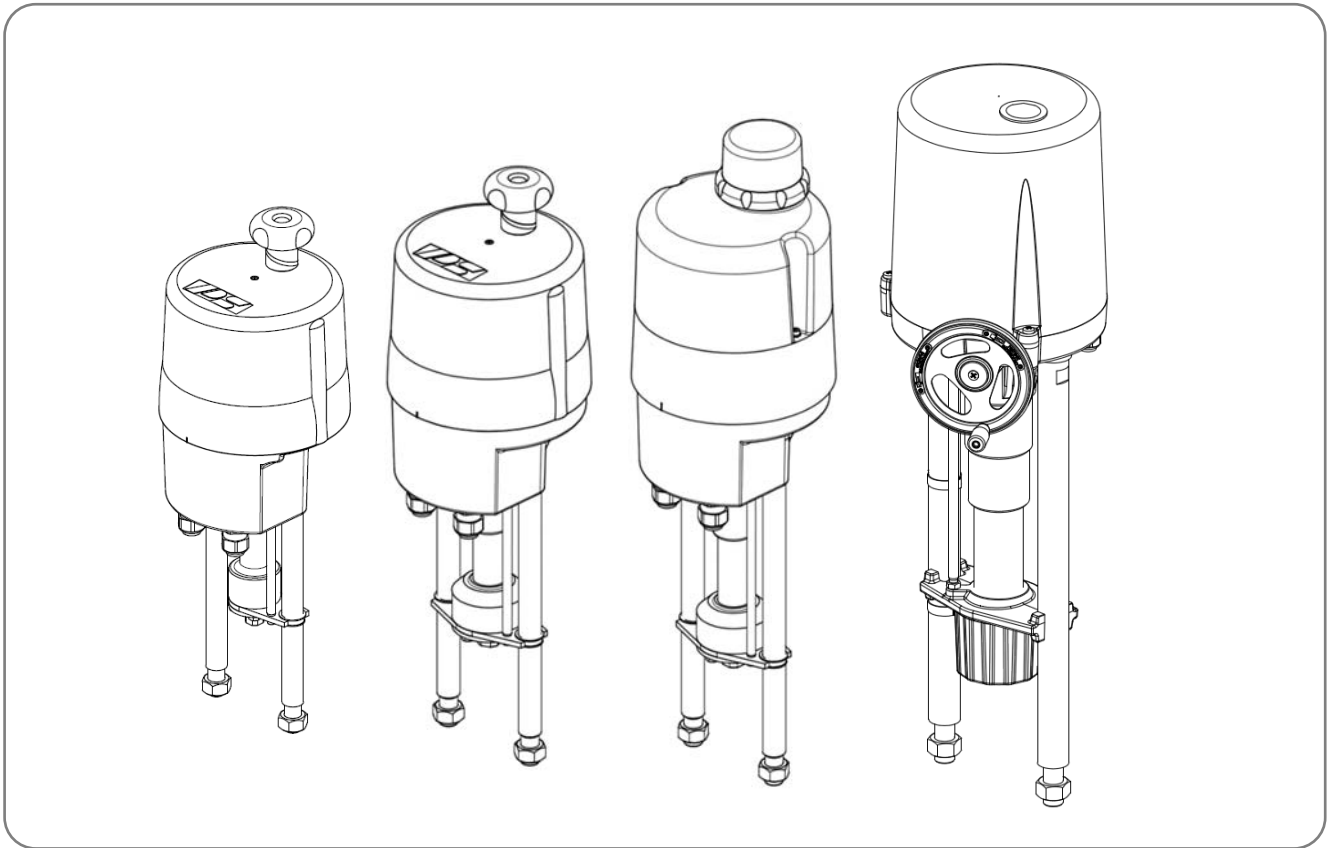


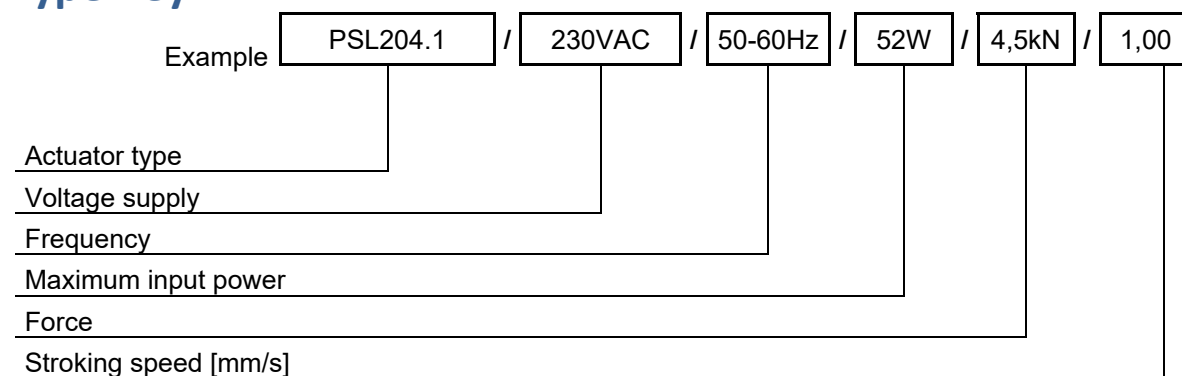
Operating Instructions



Contents

Type Key	2
1. Symbols and Safety	3
2. Usage as per Specification	4
3. Storage	4
4. Operating Conditions	4
4.1 Installation Position	5
5. Function	5
6. Manual Operation	6
7. Valve Mounting	7
7.1 PSL201-214.....	7
7.2 PSL320-330.....	9
8. Removing the Cover	10
9. Setting of the Limit Switches.....	10
9.1 Type of Limit Cut-Off.....	11
9.2 PSL 201-214.....	11
9.2.1 Force/Stroke-Dependent Limit Switch Cut-Off.....	11
9.2.2 Stroke-Dependent Limit Switch Cut-Off	12
9.3 PSL320-325.....	12
9.3.1 Force/Stroke-Dependent Limit Switch Cut-Off.....	12
9.3.2 Force/Stroke-Dependent Limit Switch Cut-Off.....	13
9.3.3 Stroke-Dependent Limit Switch Cut-Off	13
10. Electric Supply	14
10.1 Wiring Diagram	14
11. Commissioning	16
11.1 Closing the Cover	16
12. Service / Maintenance	17
12.1 Cleaning.....	17
12.2 Spare Parts	17
13. Safety on Transportation	17
14. Decommissioning and disposal.....	17
15. Appendix	18
15.1 Accessories.....	18
15.2 Actuator Overview	19
15.3 EC Declaration of Conformity	20
15.4 CA Declaration of Conformity	21

Type Key



1. Symbols and Safety

General Dangers of Non-compliance with Safety Regulations

PSL actuators are built at state-of the art technology and are safe to operate. Despite of this, the actuators may be hazardous if operated by personnel that has not been sufficiently trained or at least instructed, and if the actuators are handled improperly, or not used as per specification.

This may

- cause danger to life and limb of the user or a third party,
- damage the actuator and other property belonging to the owner,
- reduce safety and function of the actuator.

To prevent such problems, please ensure that these operating instructions and this chapter in particular have been read and understood by all personnel involved in the installation, commissioning, operation, maintenance and repair of the actuators.

Basic Safety Notes

- The actuators may only be operated by skilled and authorized operating personnel.
- Make sure to follow all security advices mentioned in this manual, any national rules for accident prevention, as well as the owner's instructions for work, operation and safety.
- The isolating procedures specified in these operating instructions must be followed for all work pertaining to the installation, commissioning, operation, change of operating conditions and modes, maintenance, inspection, repair and installation of accessories.
- Before opening the actuator cover, ensure that the main supply is isolated and prevented from unintended re-connection.
- Areas that can be under voltage have to be isolated before working on them.
- Ensure that the actuators are always operated in faultless condition. Any damage or faults, and changes in the operational characteristics that may affect safety, must be reported at once.

Danger Signs

The following danger signs are used in this operating manual:



Caution! There is a general risk of damage related to health and/or properties.



Danger! Electrical voltages are present that may lead to death.

Other Notes

- The motor surface temperature may rise when maintaining, inspecting and repairing the actuator immediately after the operation. There is a danger of burning the skin!
- Always consult the relevant operating instructions when mounting PS accessories or operating the actuator with PS accessories.
- Connections for signal in- and output are double isolated from circuits that can be under dangerous voltage.

2. Usage as per Specification

- PSL linear actuators are exclusively designed to be used as electric valve actuators. They are meant to be mounted on valves in order to run their motors.
- Any other use is considered to be non-compliant and the manufacturer cannot be held liable for any damage resulting from it.
- The actuators can only be used within the limits laid out in the data sheets, catalogues and other documents. Otherwise, the manufacturer cannot be held liable for any resulting damage.
- Usage as per specification includes the observance of the operating, service and maintenance conditions laid down by the manufacturer.
- Not to be regarded as usage as per specification are mounting and adjusting the actuator as well as servicing. Special precautions have to be taken while doing this!
- The actuators may only be used, serviced and repaired by personnel that is familiar with them and informed about potential hazards. The specific regulations for the prevention of accidents have to be observed.
- Damages caused by unauthorized modifications carried out on the actuators are excluded from the manufacturer's liability.
- Supply voltage may only be switched on after the proper closure of the main cover or terminal box.
- Electrical wiring is done to a terminal block under the actuator cover.

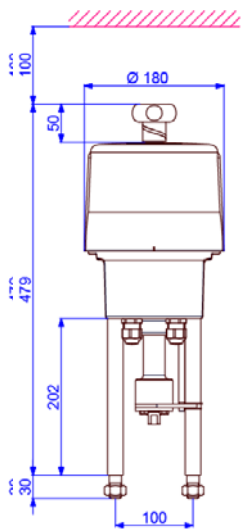
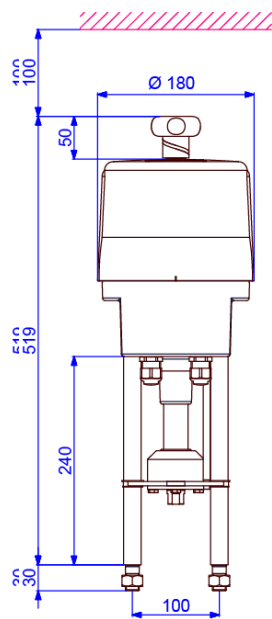
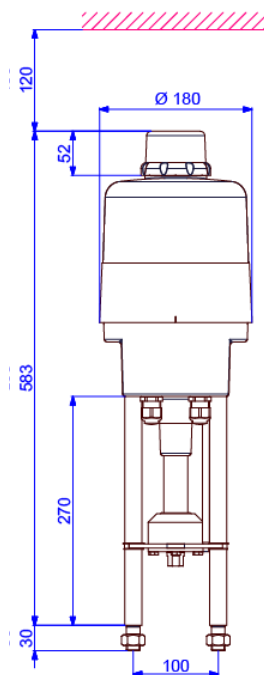
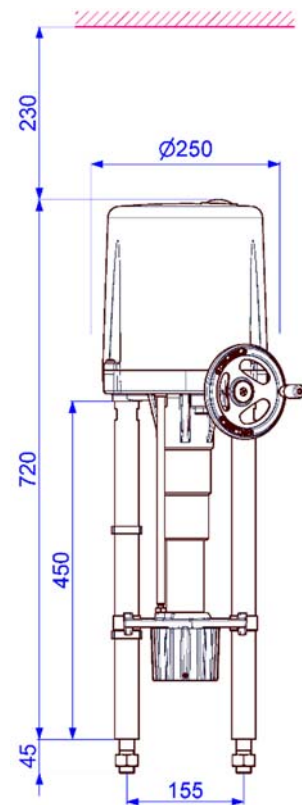
3. Storage

For appropriate storage, the following instructions have to be met:

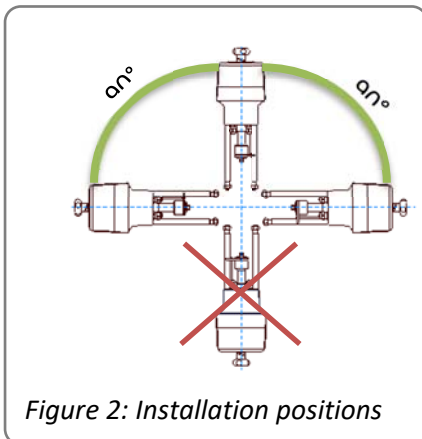
- Only store the actuators in ventilated, dry rooms.
- Store the actuators on shelves, wooden boards, etc., to protect them from floor moisture.
- Cover the actuators with plastic foil to protect them from dust and dirt.
- Protect the actuators against mechanical damage.

4. Operating Conditions

- Actuators with synchronous motors can fluctuate by up to +/-20% in the actuating force with +/-10% voltage fluctuation.
- Standard actuators may be operated at ambient temperatures from -20°C to +60°C (S4 operation) or from -20°C to +80°C (S2 operation).
- Operating modes correspond to DIN EN 60034-1, 8: S2 for short cycle and S4 for standard operation (for actuator specific data see the table at the end of this document or the actuator specific data sheets)
- The permissible average force/torque over the entire travel is 50% of the max. thrust.
- For protection against moisture and dust, the enclosure rating is IP65 or IP67/IP68 according to EN 60529.
- When installing the actuators, leave enough space to allow cover removal (Fig.1).
- The actuator can be installed vertically or horizontally or any position in between. The actuator must not be installed with the cover pointing downwards (Fig.2).

PSL201-204**PSL208-210****PSL214****PSL320-330***Figure 1: Installation dimensions*

4.1 Installation Position

*Figure 2: Installation positions***Outdoor Usage:**

When using the actuators in environments with high temperature fluctuations or high humidity, we recommend using a heating resistor as well as a higher enclosure rating (optional accessories).

5. Function

The PSL actuators are designed as electric valve actuators. The valve is mounted onto the actuator via pedestals. Depending on the type of valve used, mounting pedestals or a special valve mounting plate is required. The motor torque is transmitted via a multi-stage spur gear onto a trapezoidal threaded spindle. The spindle transmits the input torque into an axial thrust force via a stem nut. Thus, the spindle stem nut which is self-locking carries out a linear stroke transmitted to the valve stem by a coupling piece. The actuating stroke is limited by two adjustable limit switches in each direction that cut off the motor current. In case of mains power loss, a manual override of the actuator is possible using the handwheel. Electrical wiring is done to a terminal block under the actuator cover.

6. Manual Operation

The actuators are supplied with a loosely enclosed handwheel in order to operate the actuator in case of power loss or during installation work such as mounting onto a valve or setting the limit positions. Mount the handwheel according to *Figure 3*.

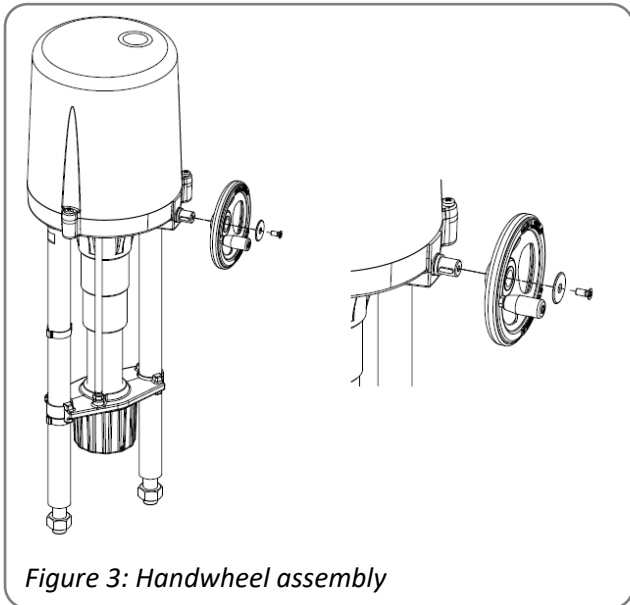


Figure 3: Handwheel assembly



Do not exceed the adjusted electrical stroke limits by handwheel. The mechanical limits must be set accordingly. If these instructions are not observed, it may result in malfunction or damage to the actuator.



Operate the handwheel only manually. Do not replace it and do not operate it by using excessive force or a motor. If these instructions are not observed, it may result in malfunction or damage to the actuator.

- The handwheel is permanently engaged and turns during motor operation of the device series PSL201-210 and PSL214.
- The actuators PSL320 - 330 have a handwheel which has to be engaged for manual operation. The button on the cover has to be depressed to engage the handwheel.

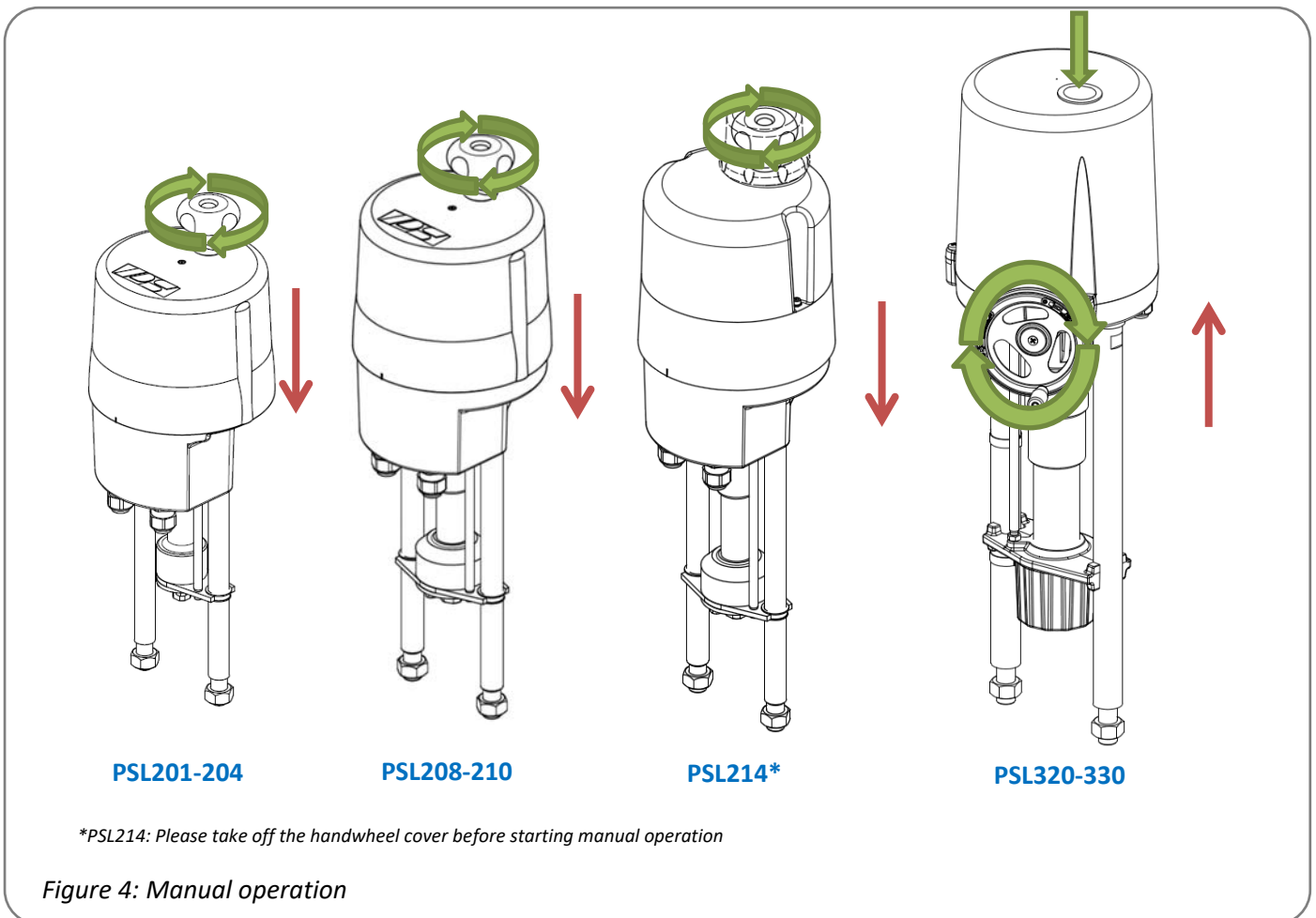


Figure 4: Manual operation

7. Valve Mounting

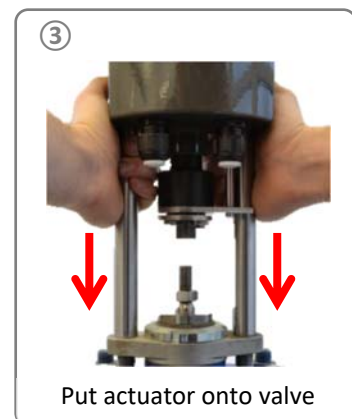
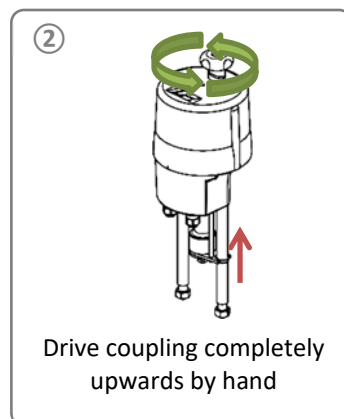
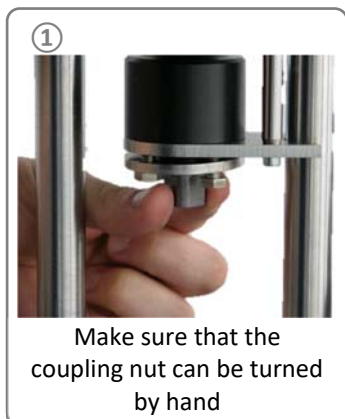
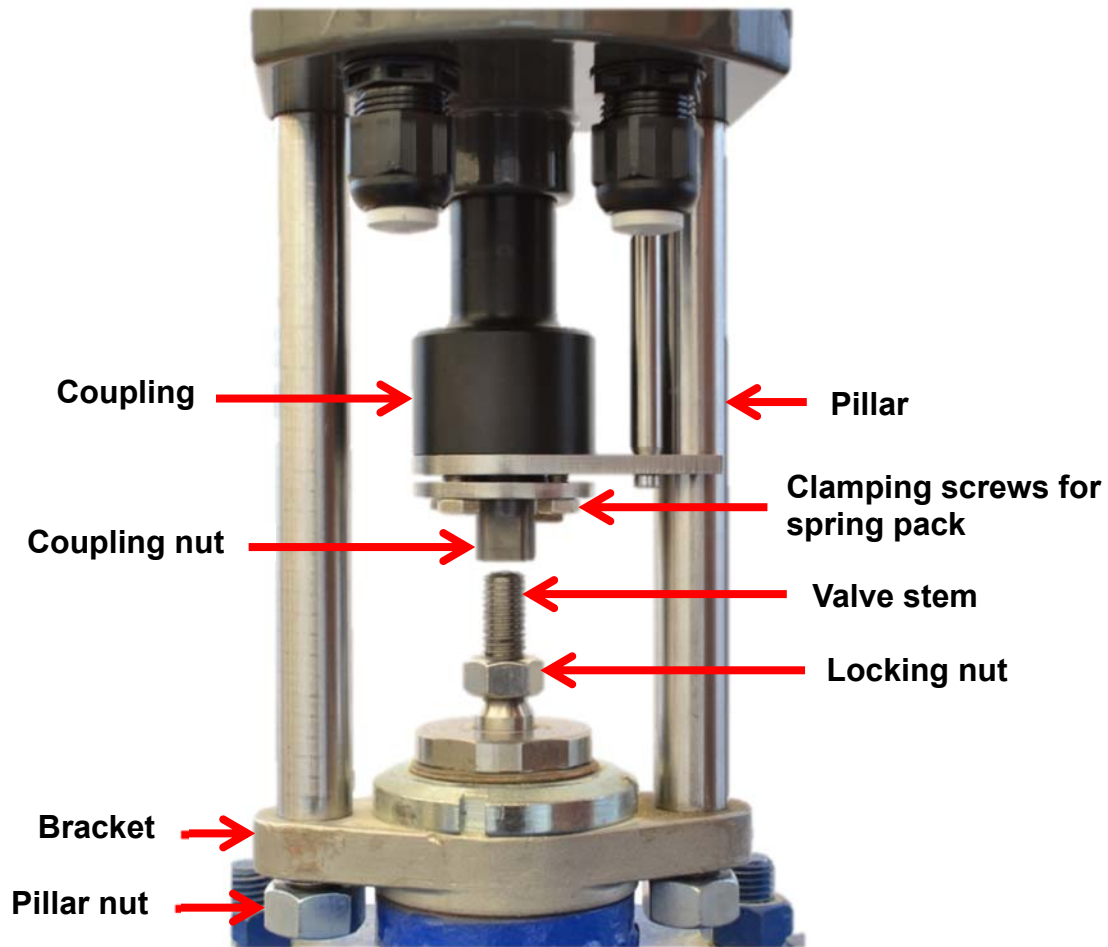
7.1 PSL201-214

Note: The pictures below show the mounting of a PSL204. The steps are identical for all types.



When mounting the actuator onto the valve, use the handwheel and do not drive the actuator electrically. If these instructions are not observed, it may result in personal injury or damage to the actuator and/or valve.

FOR MOUNTING THE ACTUATOR, THE VALVE MUST BE IN FULLY CLOSED POSITION!



7.2 PSL320-330



When mounting an actuator onto a valve, never drive the actuator electrically but use the handwheel.

If these instructions are not observed, it may result in personal injury or damage to the actuator and/or valve.

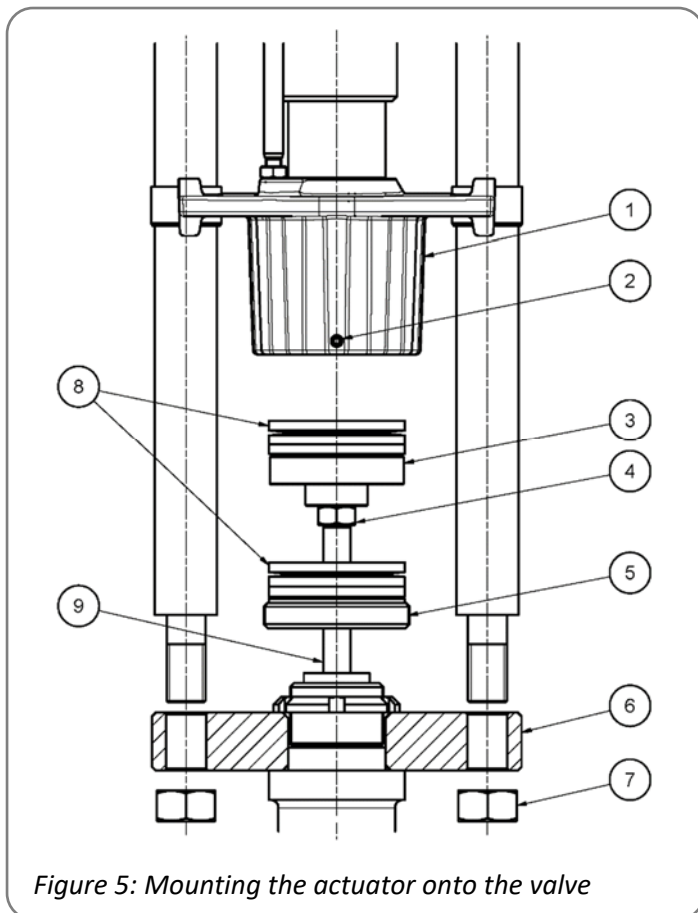


Figure 5: Mounting the actuator onto the valve

1	=	spindle nut
2	=	grub screw
3	=	coupling piece
4	=	counter nut
5	=	locking nut
6	=	mounting bracket
7	=	pillar nut
8	=	disc springs
9	=	valve stem

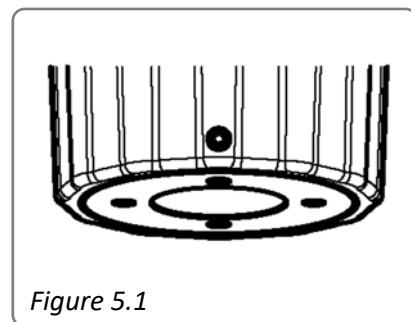


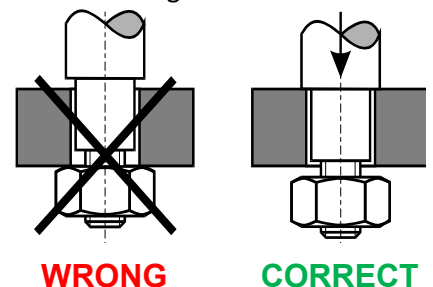
Figure 5.1

The valve must be suitably equipped to take the pillars. Please see the individual dimension sheets for the actuator dimensions. Observe the following steps when mounting the actuator:

- Unscrew the locking nut (item 5) from the spindle nut (item 1) and slide it over the valve stem (item 9).
- See if the bore of the coupling piece (item 3) fits to the valve stem. If necessary, rebores and/or recut the thread.
- Slide or screw the coupling piece onto the valve stem and bore or pin to the valve stem. You may also secure the coupling piece by using a counter nut (item 4) (Lay the disc springs according to Figure 9).
- Slide the pillars into the bore holes of the mounting bracket (item 6) and tighten with the pillar nuts (item 7).
- Extend the spindle nut by hand and move it completely over the disc springs and coupling piece, apply the locking nut and screw it in slightly, extend the spindle nut further and compress the disc springs until the locking nut can be tightened with the supplied face wrench to the stop, the locking nut is then flush with the lower edge of the spindle nut and does not protrude (Figure 5.1), if necessary compress the disc springs further by hand wheel.
- Tighten grub screw (pos. 2) with hexagon socket, locking nut is thus secured against loosening.



Before the fastening nuts are tightened, make sure that the pedestal ends are completely inserted into the bores of the valve mounting plate. If necessary, correct the position of the actuator using the handwheel. If these instructions are not observed, it may result in damage to the actuator and/or valve.

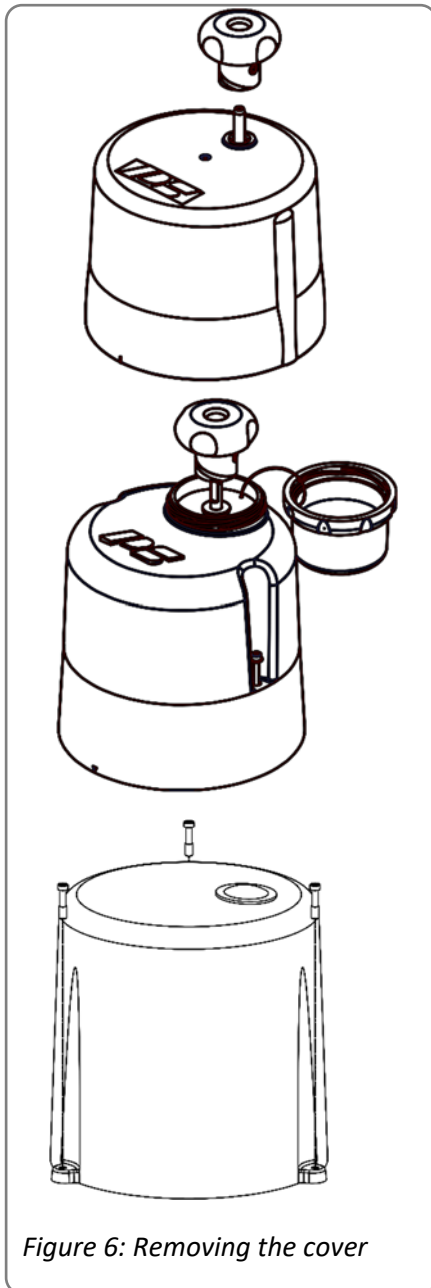


WRONG

CORRECT

8. Removing the Cover

Please Observe the Label on the Cover of the Actuator.



PSL201-PSL210 (IP65)

Remove the handwheel by loosening it.
Pull the cover upwards.

PSL214 und PSL201-210 (IP67/IP68)

Remove the handwheel by loosening the grub screw.
Remove the fastening screws of the actuator cover.
Pull the cover upwards.

PSL320 - PSL325 (IP65)

Remove the fastening screws of the actuator cover
Pull the cover upwards.

9. Setting of the Limit Switches

Only for deliveries without valves!

Two adjustable limit switches are installed to limit the stroke of the actuator, and cut-off the motor current in the relative direction. (see 9.1 ff) Additional limit switches are free of voltage and serve to indicate the valve position. Most motors have a thermal switch, depending on the actuator type, to cut off the current in both directions when a maximum temperature is reached. The cover must be removed in order to set the limit switches.



When mounting an actuator on a valve, never drive the actuator electrically but use the handwheel. If these instructions are not observed, it may result in damage to the actuator and/or valve.

9.1 Type of Limit Cut-Off

The type of limit switch cut-off is dependent on the type of valve and the limit position:

- Force/stroke-dependent cut-off (cf. 9.2)
- Stroke-dependent cut-off (cf. 9.3)

Basic Rule:

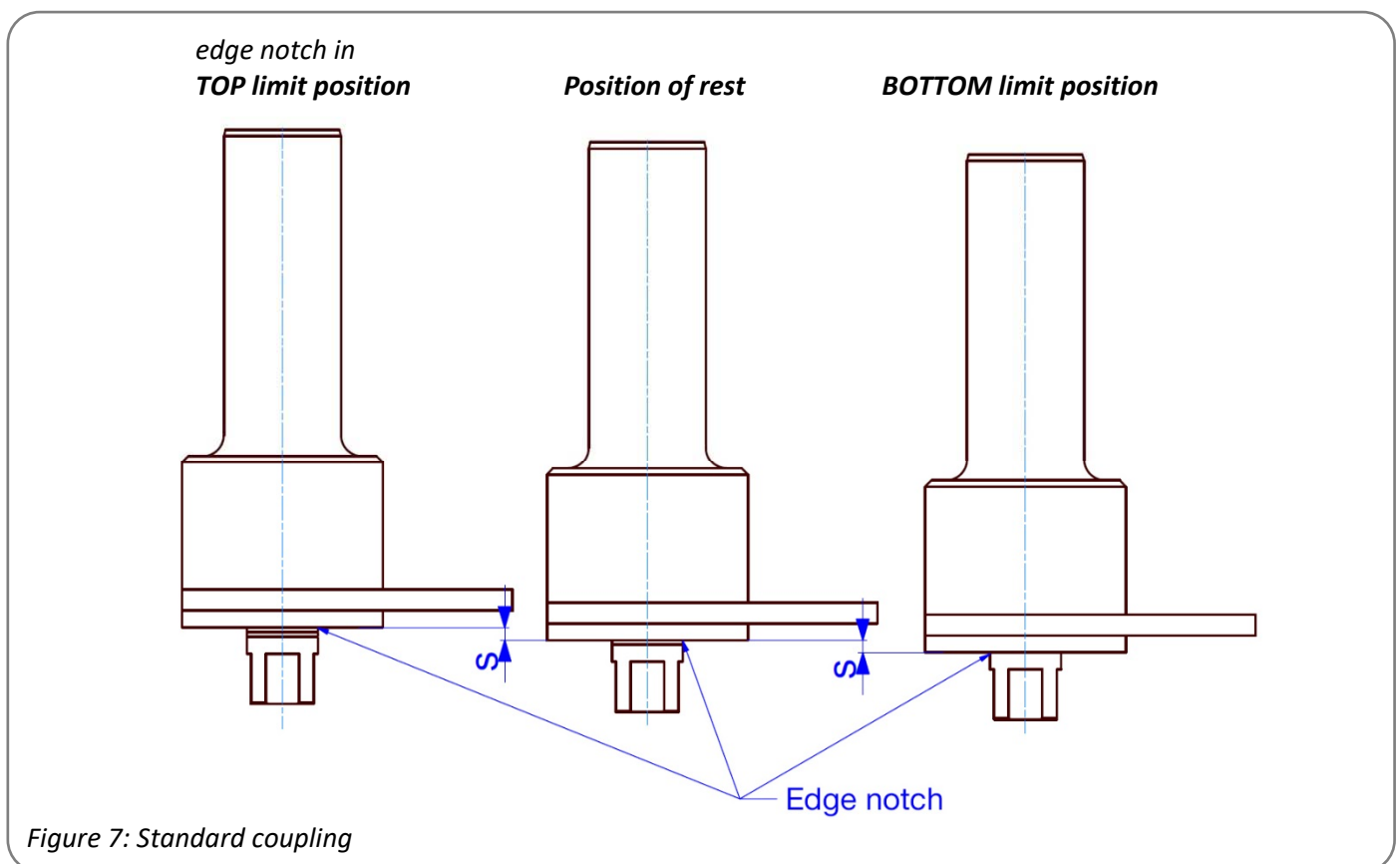
For a through-valve, first set the CLOSED position force/stroke-dependent, then the OPEN position stroke-dependent. For a 3-way valve set both limit positions force/stroke-dependent.

Other arrangements are possible. Please observe the data of your valve. Cutting off the limit switch incorrectly may cause damage to the valve.

9.2 PSL 201-214

9.2.1 Force/Stroke-Dependent Limit Switch Cut-Off

For force-dependant limit switch cut-off, the limit switches can be set by using the compression „s“ of the spring disc coupling (Figure 7).



- Using the handwheel on the actuator, drive the valve into the limit position until the valve cone touches the valve seat. This happens when the valve stem nut starts to move axially and the spindle pushes against the disc spring force.
- Mark the position on one of the drive support pedestals at the rotation protection piece.
- Continue to drive the actuator in the same direction until the disc springs are compressed to the required amount (see the specific data sheet for the drive) as denoted on the spring/force diagram.
- Slacken-off the fixing screw on the corresponding switching cam (Figure 8: Adjusting switching cams), move the cam towards the limit switch until it clicks, and re-tighten the fixing screw.
- Check the setting by repeating the drive action to close the valve and check that the spring discs are compressed to the correct stroke. Re-adjust the cam if required.

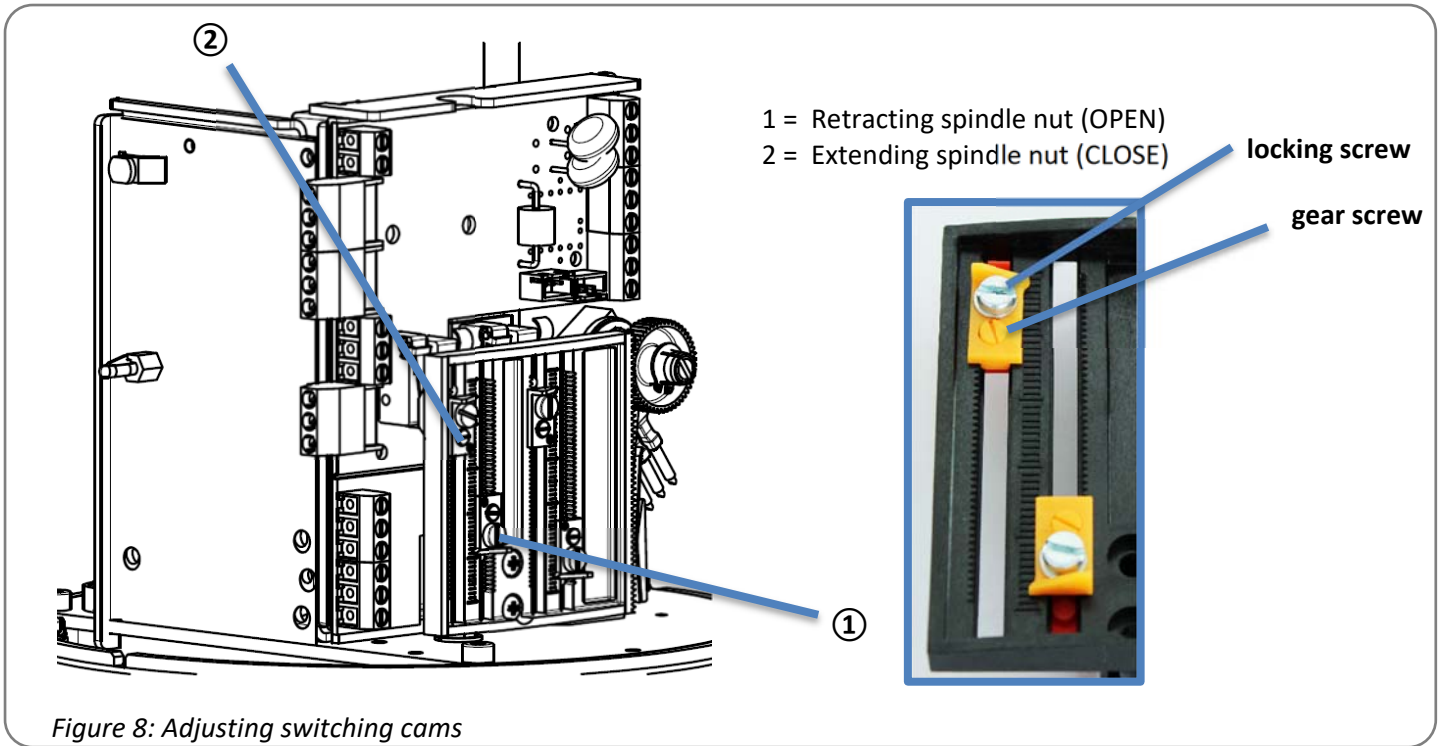


Figure 8: Adjusting switching cams

9.2.2 Stroke-Dependent Limit Switch Cut-Off

The spring discs are not compressed for the stroke dependent limit switch cut-off.

- Using the handwheel of the actuator, drive the valve until the required end position is reached.
- Unlock the fixing screw ① on the corresponding switching cam (Figure 8), use the gear screw ② to move the cam towards the limit switch until it activates, and re-tighten the locking screw.
- Check the settings by driving into the end position again and measure the valve stroke.
- Re-adjust the cam if required.

9.3 PSL320-325

9.3.1 Force/Stroke-Dependent Limit Switch Cut-Off

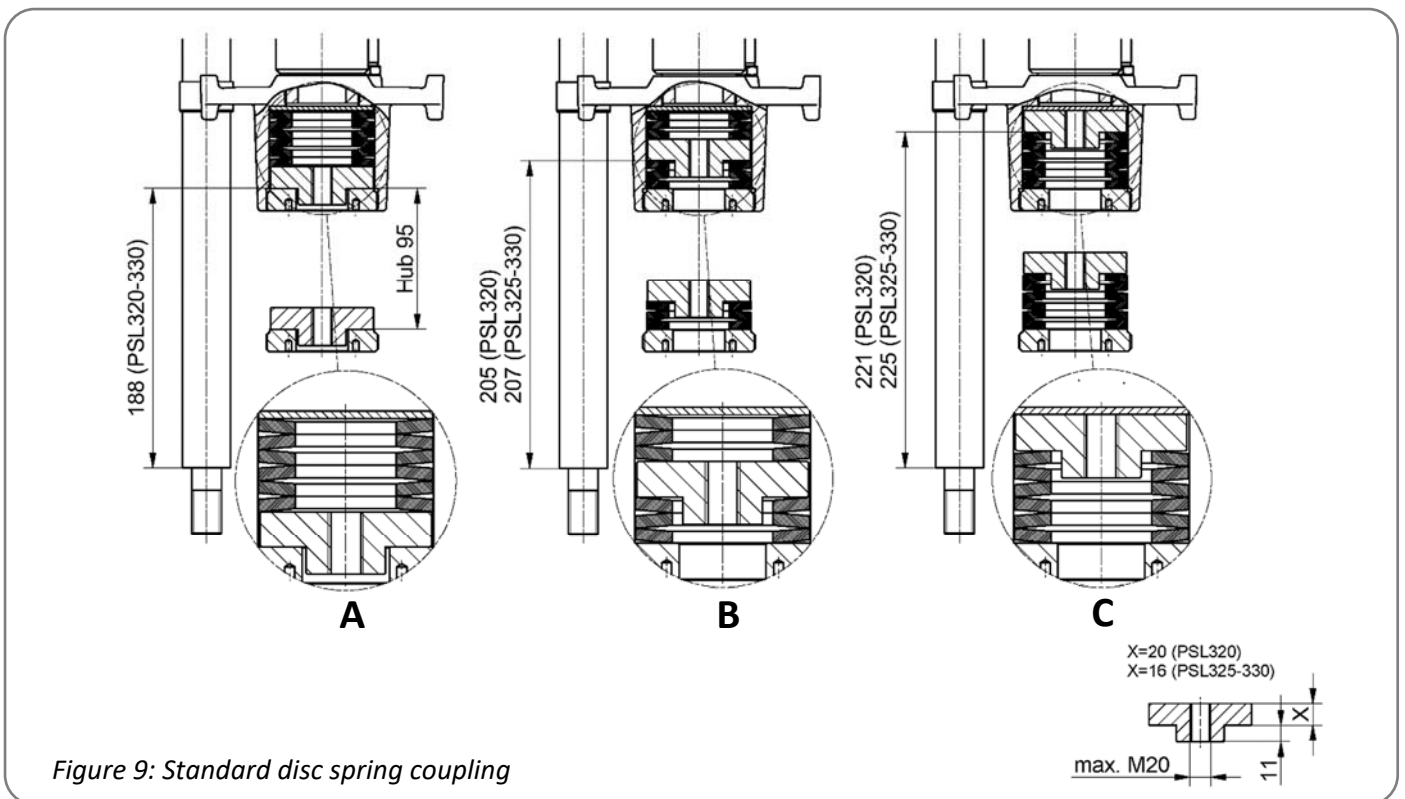


Figure 9: Standard disc spring coupling

The different methods of arranging the discs are dependent on the type of valve. Three different methods are possible:

- A: Arrangement for a through-valve with "Valve stem retracting" as direction of closing (*Figure 9*).
- B: Arrangement for a 3-way valve (*Figure 9*).
- C: Arrangement for a through valve with "Valve stem extending" as direction of closing (*Figure 9*).



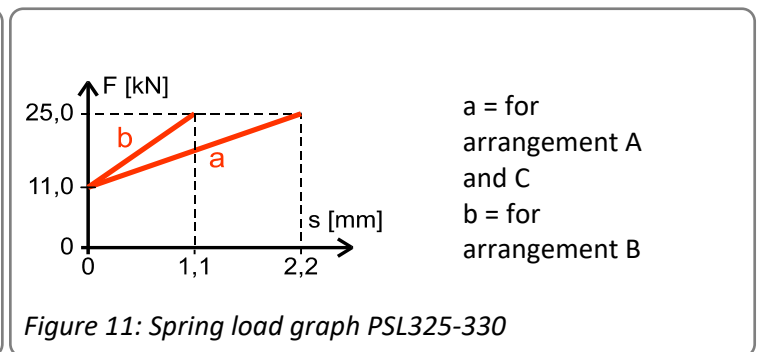
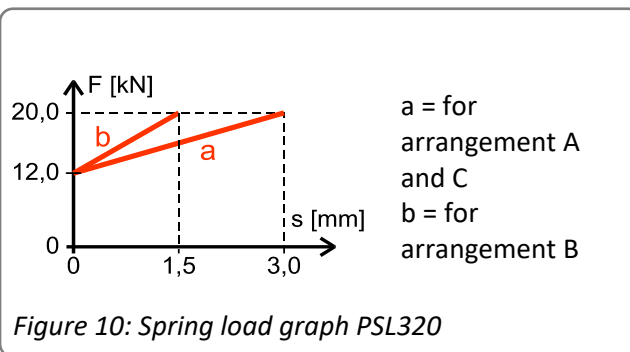
3-way valves using the spring disc arrangement "B" require only half of the spring stroke designated in the spring pressure graph below!

Basic rule:

- For a through-valve, first set the CLOSED position force/stroke-dependent, then the OPEN position stroke-dependent.
- For a 3-way valve set both limit positions force/stroke-dependent.

9.3.2 Force/Stroke-Dependent Limit Switch Cut-Off

- Using the handwheel on the actuator, drive the valve into the limit position until the valve cone touches the valve seat. This occurs when the valve stem nut starts to move axially and the spindle pushes against the disc spring force.
- Mark the position on one of the drive support pedestals at the rotation protection piece.
- Continue to drive the actuator in the same direction until the disc springs are compressed to the required amount (see the specific data sheet for the drive) as denoted on the spring/force diagram.
- Unlock the fixing screw on the corresponding switching cam (*Figure 8*), move the cam towards the limit switch until it clicks, and re-tighten the fixing screw.
- Check the setting by repeating the drive action to close the valve and check that the spring discs are compressed to the correct stroke. Re-adjust the cam if required.



9.3.3 Stroke-Dependent Limit Switch Cut-Off

The spring discs are not compressed for the stroke dependent limit switch cut-off.

- Using the handwheel of the actuator, drive the valve until the required end position is reached.
- Unlock the fixing screw on the corresponding switching cam (*Figure 8*), move the cam towards the limit switch until it activates, and re-tighten the fixing screw.
- Check the settings by driving into the end position again and measure the valve stroke. Re-adjust the cam if required.

10. Electric Supply



Before connecting to the mains, ensure that the mains supply is isolated and secured against an accidental switching-on.

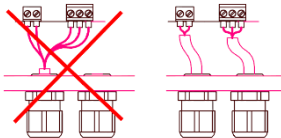
Remove the cover of the actuator in order to connect the electric supply (cf. 8, Removing the cover).

The mains connecting cables must be suitably dimensioned to accept the maximum current requirement of the actuator. The yellow-green coloured cables may only be used for connecting to earth.

When you insert the cable through the drive cable connector, ensure that the max. bending radius for the cable is observed.

The PSL electric actuators do not have an internal electrical power switch. A switch or power mains switch must be provided in the building installation. It should be positioned closely to the device and be easily accessible for the user and shall be labelled as the mains isolator switch for the actuator.

Electric installation as well as over-current and overvoltage protection devices must be conformed to the standard DIN VDE 0100-410, protective class I resp. protection class 3 (24VAC/24VDC) and also to the standard DIN IEC 60364-4-44 according to the applied overvoltage category of the actuator.



Please protect all of the power supply and control cables in front of the terminals mechanically by using suitable measures against unintentional loosening. Never install the power supply and the control cables together in one line but instead please always use two different lines.

10.1 Wiring Diagram

Figure 12 indicates the electrical connections for standard actuators. The wiring diagram inside the actuator cover is binding for the specific actuator connection. See the separate wiring diagram in the corresponding service instructions for any optional extras.

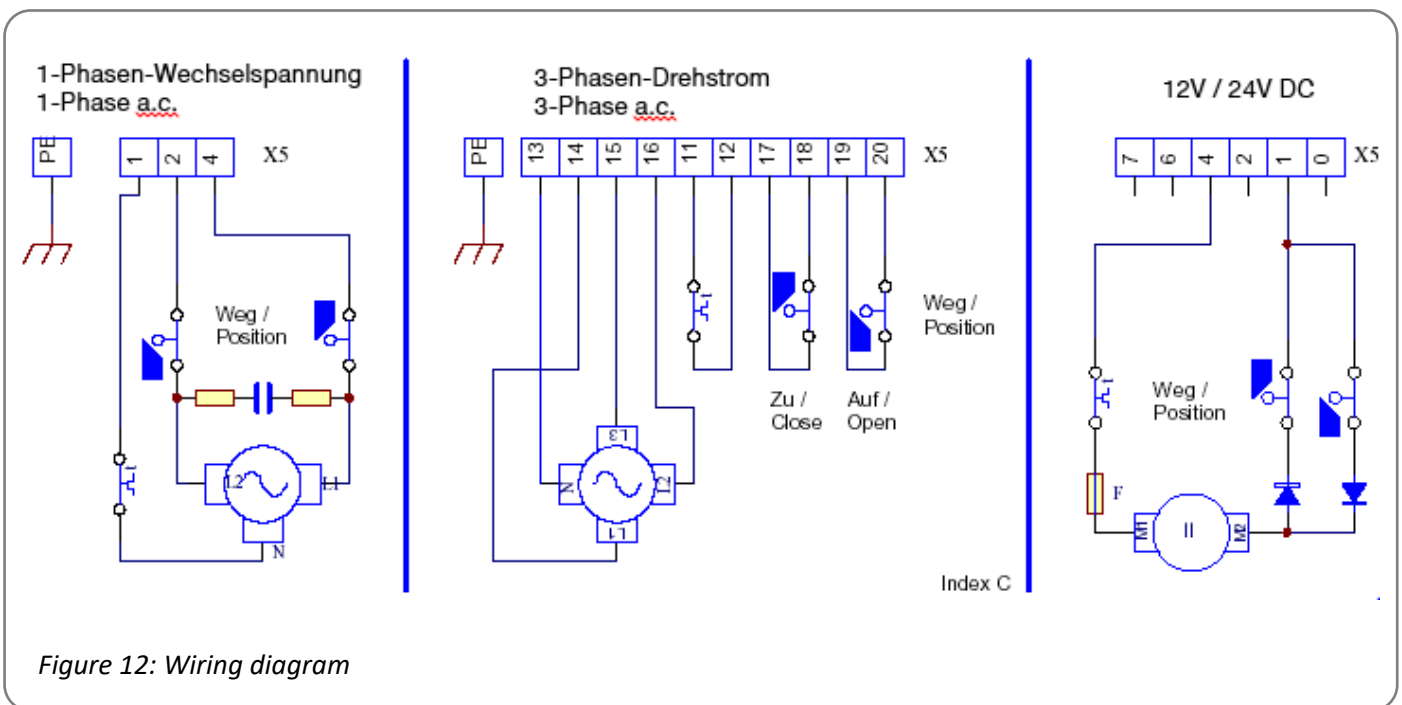


Figure 12: Wiring diagram

11. Commissioning



**The electrical connection and commissioning with mains voltage applied may only be carried out by trained specialist personnel!
Do not touch any connection lines during commissioning!**

- Put the cover on, and re-install the handwheel (fig. 15).
- Drive the valve to the centre of the stroke using the handwheel
- Switch on the mains.
- Switch the setting signal briefly between OPEN and CLOSE and check that the drive operates in the correct direction. If necessary, reverse the setting signal for OPEN/CLOSE.
- Drive the actuator, in both directions, using the setting signal until the limit switch cuts-off. Check that the limit switch position is correct. If necessary re-adjust the limit switch.

11.1 Closing the Cover

PSL201-PSL210 (IP65)

Please observe the label on the cover of the actuator.

PSL201-PSL210 (IP67/IP68) and PSL214

- Put the cover on the actuator and ensure that the two fixing screws are positioned over the corresponding threaded holes.
- Slightly tighten down the fixing screws with an Allen key. If the screws don't lock, move the cover slightly.
- Push the cover downwards and ensure that it slips over the sealing ring of the actuator.
- Tighten the screws.

PSL320-PSL325

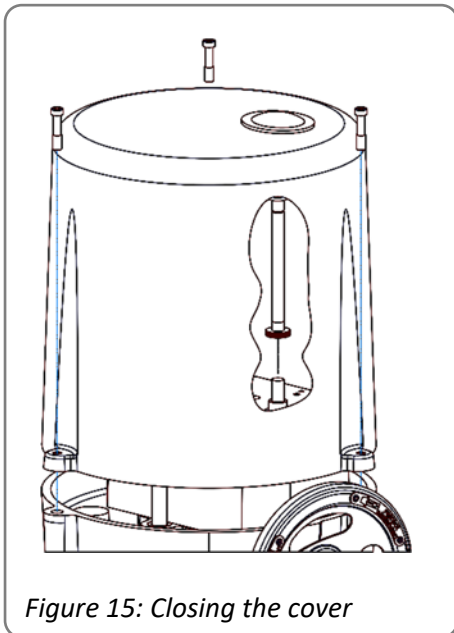


Figure 15: Closing the cover

- Check that the sealing ring on the periphery of the housing sits correctly in the groove.
- Put the cover on the actuator and ensure that the 3 fixing screws are positioned over the corresponding threaded holes and that the button is positioned over the release pin of the actuator housing.
- Tighten down the fixing screws with a corresponding screwdriver.

12. Service / Maintenance

The actuators are maintenance-free if used under the operating conditions as designated in the data sheet. The gearboxes are lubricated for life and do not require further lubrication.



Caution!
During maintenance and repair the actuator must not be operated electrically.

12.1 Cleaning

The actuators should be cleaned dry. Do not operate the actuator during the cleaning process.

12.2 Spare Parts

Defective actuators should be returned to our plant in Bad Dürkheim, Germany, or to our representatives, to be checked for damages and their possible causes.

If you prefer repairs in-house, we can provide you our price list for spare parts.

13. Safety on Transportation

For transportation and storage all cable glands and connection flanges have to be closed to prevent ingress of moisture and dirt. A suitable method of packaging is required for transporting to avoid damage of coating and any external parts of the actuator.

14. Decommissioning and disposal

- Disconnect the mains supply and ensure that it is secured against an accidental switching-on.
- Open the cover.
- Remove external electrical connections.
- Take off the actuator from the valve.

Disposal

For its disposal, the product should be treated as waste containing electrical and electronic equipment and should not be disposed of as household waste.



In accordance with 2012/19/EU on waste electrical and electronic equipment (WEEE), the devices described here may not be disposed of via municipal waste disposal companies. If you are unable or unwilling to arrange for the equipment to be disposed of by a specialist company, you may return the equipment to the manufacturer, who will then ensure that the equipment is disposed of properly for a flat fee.

15. Appendix

15.1 Accessories

Various options are available in order to adapt the actuators to the various service conditions. A list of accessories for each actuator type is shown on the actuator data sheet.

Accessories/ Options		Supply Voltage	230 VAC 1~	115 VAC 1~	24 VAC 1~	400 V 3~	24 VDC
		Position Signal Switches	2WE	•	•	•	•
Position Signal Switches Gold	2WE Gold	•	•	•	•	•	
Positioner	PSAP	•	•) ¹	•) ¹	•) ²		
Position Transmitter	PSPT	•	•	•	•	•	
Space Heating	HR	•	•	•	•) ³	•	
Potentiometer	PD	•	•	•	•	•	
Reversing Starter Contactor	WSM01				•		
IP67 Metal Cover	IP	Increase of enclosure to IP67					
IP68 Metal Cover	IP	Increase of enclosure to IP68 (only valid for PSL201-214)					

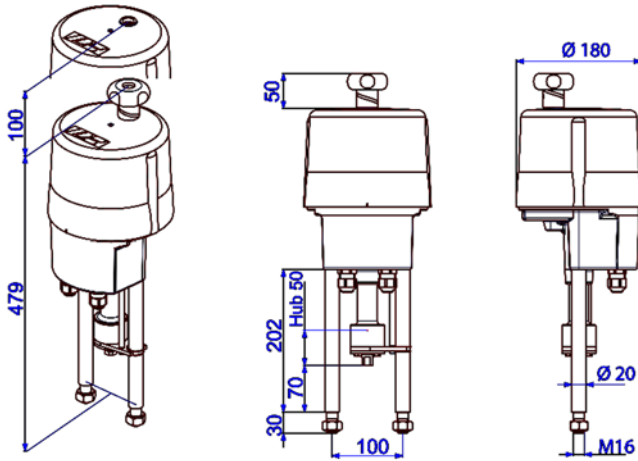
• = available, for further information see respective datasheet

)¹ = PSL series 204 to 320-325: PSAP with external relay required

)² = only to be used with reversing starter contactor

)³ = supply voltage 24 V or 115-230 V

15.2 Actuator Overview

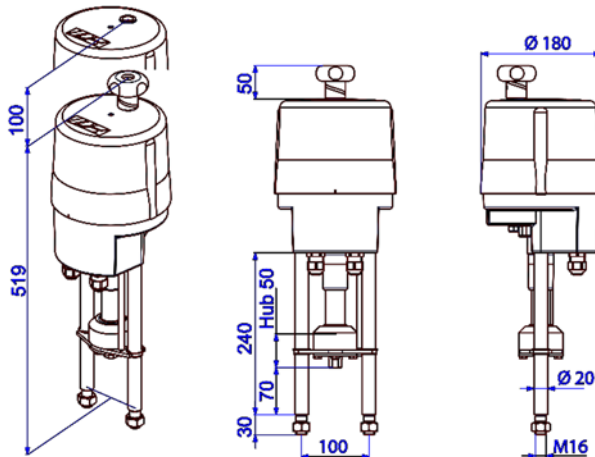


PSL201-204

1 kN to 4,5 kN
Maximum Thrust

0,25 to 1,4 mm/s
Stroking speed

maximum 50 mm
Stroke

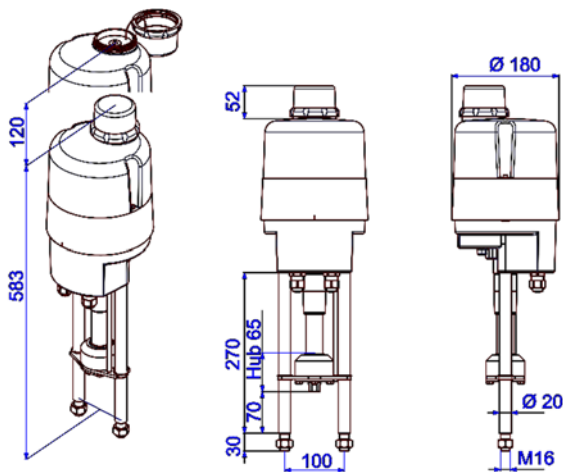


PSL208-210

8 kN to 10 kN
Maximum Thrust

0,35 to 1,0 mm/s
Stroking speed

maximum 50 mm
Stroke

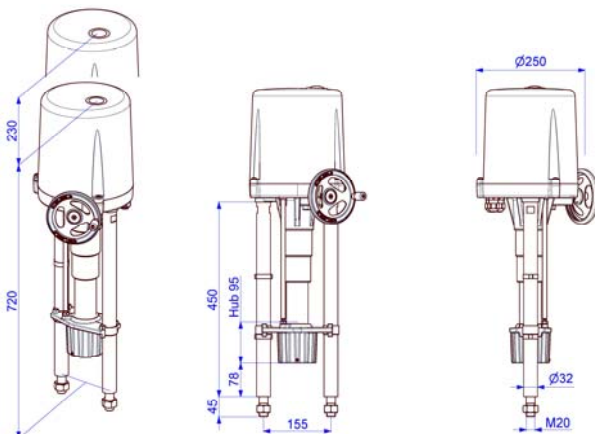


PSL214

14 kN
Maximum Thrust

0,45 mm/s
Stroking speed

maximum 65 mm
Stroke



PSL320-330

20 kN to 30 kN
Maximum Thrust

1,0 mm/s
Stroking speed

maximum 95 mm
Stroke

15.3 EC Declaration of Conformity

Declaration of Incorporation of Part Completed Machinery and EC Declaration of Conformity in compliance with the Directives on EMC and Low Voltage

We,

PS Automation GmbH
Philipp-Krämer-Ring 13
D-67098 Bad Dürkheim

Declare under our sole responsibility that we manufacture electric actuator series

**PSR-E...; PSQx03...; PSQ-E...; PSQ-AMS...; PSL-Mod.4...;
PSL-AMS...; PSF...; PSF-M...; PSF-Q...; PSF-Q-M...**

according the requirements of the

EC Directive 2006/42/EC

as part completed machinery. These actuators are designed to be installed on industrial valves.
It is prohibited to take the actuator into service until it has been ensured that the complete machine conforms
the applicable machinery directives.

The technical documentation described in Annex VII, part B has been prepared.

The above actuators further comply with the requirements of the following directives.

2014/30/EU	Electromagnetic Compatibility (EMC)
2014/35/EU	Low Voltage (LVD)
2011/65/EU + 2015/863/EU	Restriction of Hazardous Substances (RoHS)

furthermore, the following harmonised standards have been applied:

EN 61000-6-2: 2005	Electromagnetic compatibility (EMC), Generic standards- Immunity for industrial environments
EN 61000-6-3: 2007	Electromagnetic compatibility (EMC), Generic standards- Emission standard for residential, commercial and light-industrial environments
EN 61010-1: 2020	Safety Requirements for Electrical Equipment for Measurement, Control and Laboratory use

Bad Dürkheim, 2022



Christian Schmidhuber
(General Manager)

CAUTION!

To ensure compliance of these actuators with the above directives, it is the responsibility of the specifier, purchaser, installer and user to observe the relevant specifications and limitations when taking the product into service. Details are available on request, and are mentioned in the Installation and Maintenance Instructions.

15.4 CA Declaration of Conformity

Declaration of Incorporation of Part Completed Machinery and CA Declaration of Conformity in compliance with the Legislation on EMC and Low Voltage

We,

**PS Automation GmbH
Philipp-Krämer-Ring 13
D-67098 Bad Dürkheim**

Declare under our sole responsibility that we manufacture electric actuator series

PSR-E...; PSQx03...; PSQ-E...; PSQ-AMS...; PSL-Mod.4...; PSL-AMS...; PSF...; PSF-M...

according to the requirements of the

2008 No. 1597

Supply of machinery (safety) regulations

as part completed machinery. These actuators are designed to be installed on industrial valves.

It is prohibited to take the actuator into service until it has been ensured that the complete machine conforms to the applicable machinery legislation.

The technical documentation described in Annex VII, part B has been prepared.

The above actuators further comply with the requirements of the following legislations:

**UK SI 2016 No. 1091 and
Amendments**

The Electromagnetic Compatibility Regulations 2016

**UK SI 2016 No. 1101 and
Amendments**

The Electrical Equipment (Safety) Regulations 2016

**UK SI 2012 No. 3032 and
Amendments**

**The Restriction of the Use of Certain Hazardous Substances in
Electrical and Electronic Equipment Regulations 2012**

the provisions of the legislations and their compliance are given by the following named standard(s), which have been applied:

EN 61000-6-2: 2005

Electromagnetic compatibility (EMC), Generic standards-
Immunity for industrial environments

EN 61000-6-3: 2007

Electromagnetic compatibility (EMC), Generic standards-
Emission standard for residential, commercial
and light-industrial environments

EN 61010-1: 2020

Safety Requirements for Electrical Equipment for
Measurement, Control and Laboratory use

Bad Dürkheim, 2021



Christian Schmidhuber
(General Manager)

CAUTION!

To ensure compliance of these actuators with the above directives, it is the responsibility of the specifier, purchaser, installer and user to observe the relevant specifications and limitations when taking the product into service. Details are available on request, and are mentioned in the Installation and Maintenance Instructions.

Our representatives:

Italy

PS Automazione S.r.l.
Via Pennella, 94
I-38057 Pergine Valsugana (TN)
Tel.: <+39> 04 61-53 43 67
Fax: <+39> 04 61-50 48 62
E-mail: info@ps-automazione.it

India

PS Automation India Pvt. Ltd.
Srv. No. 25/1, Narhe Industrial Area,
A.P. Narhegaon, Tal. Haveli, Dist.
IND-411041 Pune
Tel.: <+ 91> 20 25 47 39 66
Fax : <+ 91> 20 25 47 39 66
E-mail : sales@ps-automation.in
www.ps-automation.in

To find out more about all our sales partners and subsidiaries please scan the QR code below or visit our website:

<https://www.ps-automation.com/locations/?lang=en>



PS Automation GmbH

Philipp-Krämer-Ring 13
D-67098 Bad Dürkheim

Phone: +49 (0) 6322 94980-0
E-mail: info@ps-automation.com
www.ps-automation.com

